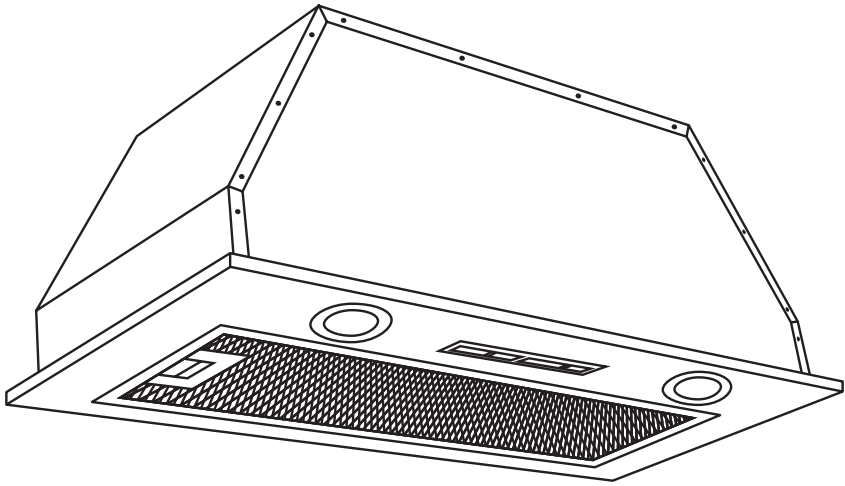


SALINI

UNDERMOUNT RANGEHOOD User Manual & Installation



SRU-0682S | SRU-0685S

WWW.SALINI.COM.AU

TABLE OF CONTENTS

IMPORTANT SAFETY INFORMATION _____	2-3
INSTALLATION _____	4-5
USING YOUR APPLIANCE _____	6
CLEANING & MAINTENANCE _____	7-9
TROUBLESHOOTING _____	10
TECHNICAL DATA & SPECIFICATION _____	11
DECLARATION OF CONFORMITY _____	12



Installation of the appliance must only be undertaken by a licensed electrician.

This manual contains important information including safety, operational & installation information which will enable you to get the most out of your appliance. Please keep it in a safe place so that it is easily available for future reference; for you or any person not familiar with the operation of the appliance.

IMPORTANT SAFETY INFORMATION

GENERAL INFORMATION

- Carefully read the following important information regarding installation safety and maintenance. Keep this information booklet accessible for further consultations.
- This appliance is designed for domestic household use and indoor use only.
- **IMPORTANT:** Your product warranty will be void if the installation is not in accordance with the instructions. The installation must be carried out by a suitably qualified person, in accordance with the manufacturer's instructions, and must be connected in accordance with all applicable electrical regulations.
- The use of this appliance for any other purpose or in any other environment will void warranty.
- Your new appliance is guaranteed against electrical or mechanical defects, subject to certain exclusions, the foregoing does not affect your statutory rights.
- Repairs may only be carried out by Service Engineers or an authorised service agent.
- Check the appliance for damage after unpacking it. Do not connect or install the appliance if it has been damaged in transport as this will void the warranty.

WARNING AND SAFETY INSTRUCTIONS



CAUTION! Ensure there is adequate ventilation of the room when the range hood is used at the same time as appliances burning gas or other fuels.

- All installation work must be carried out by a qualified electrician.
- This appliance complies with all current Australian and European safety legislation, and designed to operate safely in normal domestic use.
- Appliance shall only be used with rated voltage and frequency.
- Before installation and usage, read all the instructions and make sure that the voltage (V) and the frequency (Hz) indicated on your rangehood are exactly the same as the voltage (V) and the frequency (Hz) in your home. The range hood is used on 220/240v, 50Hz.
- If the rangehood is only intended to be installed over a hob with no more than four hob elements, this should be observed. Refer to 'TECHNICAL DATA & SPECIFICATION' page for model detail.
- The range hood must be installed in accordance with the installation instructions and all measurements followed in accordance with local regulation.
- Ensure adequate ventilation in the environment for the safe operation of the rangehood.
- When in extraction mode, air in the room is removed by the rangehood. Please make sure that proper ventilation measures are being observed. The rangehood removes odours from room but not steam.
- Do not exhaust the air from the range hood through the same flue that is used for exhausting fumes from other appliances burning gas or other fuels.
- Follow the local laws applicable for external air exhaustion.
- Make sure the ducting has no bends sharper than 90 degrees as this will reduce the efficiency of

the range hood.

- Do not leave frying pans unattended during use.
- Always put lids on pots and pans when cooking on a gas cook top.
- Do not flambé or leave naked flames under the range hood.
- **WARNING:** Danger of fire: do not store items on cooking surfaces.
- **NEVER** try to extinguish a fire with water, but switch off the appliance and then cover flame e.g. with a lid or a fire blanket.
- There is a fire risk if cleaning is not carried out in accordance with the instructions.
- Do not use a steam cleaner on appliance.
- There are sharp edges inside the appliance, it is important to take care to avoid injury especially during installation and cleaning.
- Do not use the range hood without grease filters or if the filters are excessively greasy.
- Do not check the status of the filters while the rangehood is operating.
- Children should be supervised at all times, they should not play with the appliance.
- Cleaning and user maintenance shall not be made by children without supervision.
- **CAUTION:** Accessible parts may become hot when used with cooking appliances.
- Do not touch the light bulbs after use, ensure that the appliance is cooled.
- Do not disconnect the appliance with wet hands or force the supply cord.
- Disconnect the electrical plug prior to any maintenance or cleaning.
- Cleaning should be carried out in accordance with the "Cleaning and Maintenance" section to avoid possible hazards.
- This appliance is not intended for use by persons (including children) with reduced physical, sensory or mental capabilities, or lack of experience and knowledge, unless they have been given supervision or instruction concerning use of the appliance by a person responsible for their safety.
- If the appliance is damaged or faulty do not attempt to use.
- In the event of any incident caused by a technical fault, disconnect the power and report the fault to be repaired before use.
- If the power cord is damaged it must be replaced by the manufacturer or a qualified service engineer.

ELECTRICAL CAUTION



CAUTION! Cleaning operations must only be carried out when the range hood is cool and disconnected from the power supply.

- Any work on electric equipment and systems may only be carried out by a qualified electrician.
- In case of any damage, switch off the appliance and disconnect it from the power supply.
- Before obtaining access to terminals, all supply circuits must be disconnected.
- Failure to install the screws or fixing device in accordance with these instructions may result in electrical hazards.
- **WARNING:** Always switch off the electricity supply at the mains during installation and during maintenance such as before replacing the light globe to avoid the possibility of electric shock.

INSTALLATION

! This product must be installed by a suitably qualified trades person.

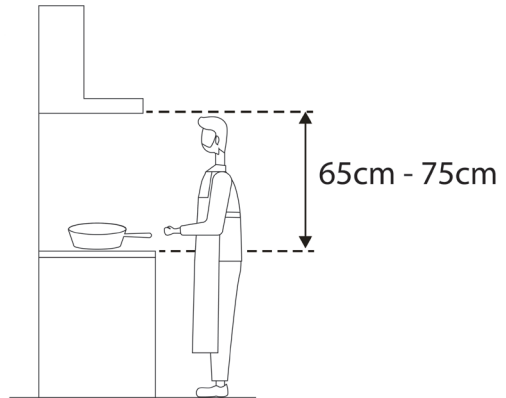
- Any work on electric equipment and systems may only be carried out by a qualified electrician.
- Before obtaining access to terminals, all supply circuits must be disconnected.
- Failure to install the screws or fixing device in accordance with these instructions may result in electrical hazards.
- Consider the distance between the top of the pan support on the cooktop and the lowest part of the rangehood, minimum distance must be followed according to regulation.
- **WARNING:** Always switch off the electricity supply at the mains during installation and during maintenance such as before replacing the light globe to avoid the possibility of electric shock.

SETTING POSITION

The range hood should be installed with adequate distance from the cooking surface in accordance with local regulations. A distance of between 65-75cm from the cooking surface will ensure maximum efficiency of the range hood exhaust.

The minimum distance should be:

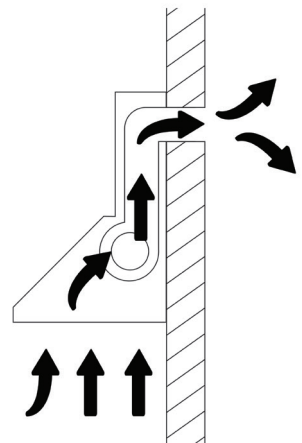
Electric Cooktops:	65 cm
Gas Cooktops:	75 cm
Coal or oil Cooktops:	75 cm



EXHAUST

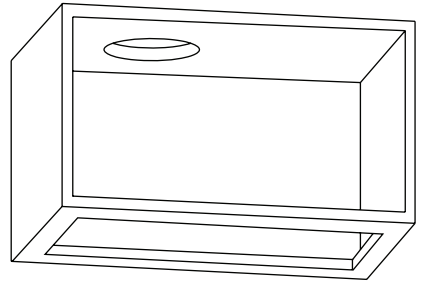
If the installation will have the exhaust outlet to the outside, the range hood can be connected (see example diagram) by means of an extraction duct (enamel, aluminum, flexible pipe or non-flammable material with an interior diameter of 150mm).

- Do not exhaust the air from the range hood through the same flue that is used for exhausting fumes from other appliances burning gas or other fuels.
- Make sure the ducting has no bends sharper than 90 degrees as this will reduce the efficiency of the rangehood.
- Observe the local regulations applicable for external air exhaustion.
- We recommend to install an expansion pipe from valve to hole in wall or ceiling to create efficient exhaust.
- Expansion pipe is not included.

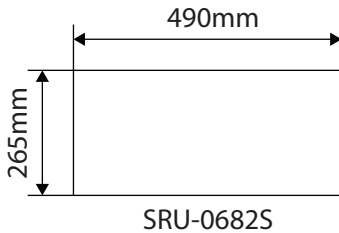


PREPARING THE CABINET

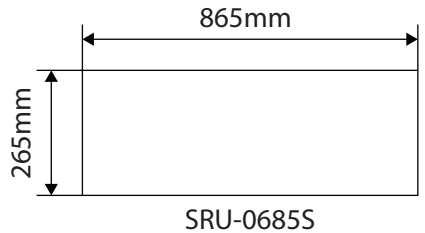
1. Mark out the position and size of the cut out required according to size required
2. Make sure the distance between the edge of the hole and the edge of the cupboard edge is at least 35mm.
3. Cut out required hole in the underside of cabinet.



CUT-OUT SIZES



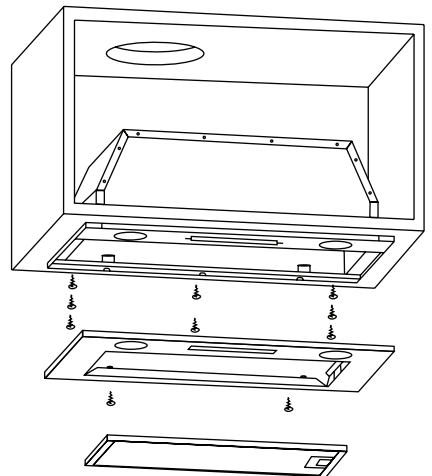
SRU-0682S



SRU-0685S

FIXING TO CABINET

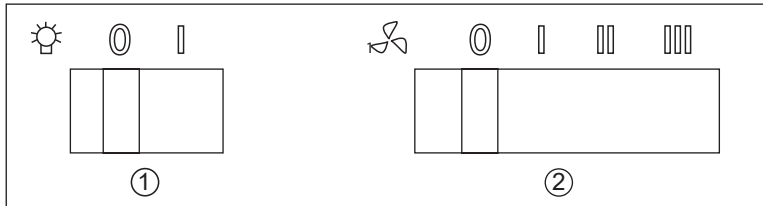
1. Remove the aluminum filter using the handle.
2. Remove the front panel screws to remove the front panel.
3. Use a screwdriver to secure the 8pcs ST4*18 screws to the cabinet.
4. Replace the front panel with the two screws.
5. Replace the filter.



Use only the same size of fixing or mounting screw which are recommended in this instruction manual, failure to do so may result in electrical hazards.

USING YOUR APPLIANCE

TOGGLE SWITCH

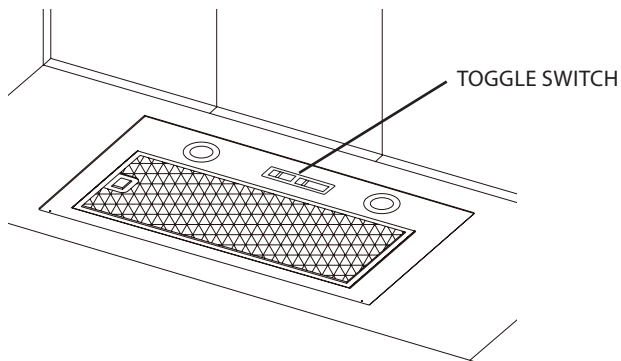


1. Lamp – Turn the light off & on:

- ⓪ Toggle switch to this symbol to turn the light off
- ▮ Toggle switch to this symbol to turn the light on

2. Speed – Select fan speed to suit cooking requirement:

- ⓪ Toggle switch to this symbol to turn the fan off
- ▮ Toggle switch to this symbol for low fan setting (Light frying/boiling)
- ▮▮ Toggle switch to this symbol for medium fan setting (Frying/wok cooking/heavy boiling)
- ▮▮▮ Toggle switch to this symbol for high fan setting (Grilling, Intensive Frying and Wok Cooking)



CLEANING & MAINTENANCE



Before any cleaning or maintenance on this appliance is carried out, the appliance should be disconnected from the main power supply. Ensure that the appliance is switched off at the wall socket and the plug removed.

- **CAUTION:** Accessible parts may become hot when used with cooking appliances.
- There is a fire risk if cleaning is not carried out in accordance with the instructions.
- There are sharp edges inside the appliance, it is important to take care to avoid injury especially during installation and cleaning.
- Cleaning and user maintenance shall not be made by children without supervision.
- Do not use a steam cleaner on appliance.

GENERAL

External surfaces of the appliance are susceptible to scratches and abrasions, so it is important to follow the cleaning instructions to avoid damage to surface.

The range hood and its filter mesh should be cleaned regularly in order to keep in good working order.

Cleaning and maintenance should be carried out with the appliance cold especially when cleaning, so before commencing please ensure any heat caused by cooking is completely cooled.

Avoid leaving alkaline or acid substances (lemon juice, vinegar etc.) on the surfaces as they may damage the finish of the surface.



Some household detergents and cleaning products contain harsh chemicals and abrasives, they can damage the finish of the appliance and potentially remove printed markings. Damage caused by improper care will not be covered under manufacturers warranty.

STAINLESS STEEL

Any stainless steel must be cleaned regularly (e.g. weekly) to ensure long life expectancy. Dry with a clean soft cloth. A specific stainless steel cleaning cleaner may be used, please follow instructions carefully for best results.



Ensure that you wipe in the same direction as the grain of the stainless steel to prevent any unsightly crisscross scratching patterns from appearing.

CONTROL PANEL

The inlay control panel can be cleaned using warm soapy water. Ensure the cloth is clean and well wrung before cleaning. Use a dry soft cloth to remove any excess moisture left after cleaning.

Use neutral detergents and avoid using harsh cleaning chemicals, strong household detergents or products containing abrasives, as this will affect the appliance appearance and potentially remove any printing of artwork on the control panel. Damage due to improper cleaning will void warranty.

REMOVING GREASE MESH FILTERS

The rangehood mesh filters are released by pushing in and holding the slider on the release handle of the filter. Once the side of the filter is released from the hood, gently pull down the filter and release from the opposite side. The fine mesh on the filters are soft and can be easily damaged, take care when handling the filters to avoid damage.

CLEANING GREASE MESH FILTERS

The range hood and its filter mesh should be cleaned regularly in order to keep in good working order. The mesh filters should be cleaned by hand or in a dishwasher.

To clean by hand, follow below instructions:

1. Soak them for about 3 minutes in water with a grease-loosening detergent.
2. Brush them gently with a soft brush. Do not apply too much pressure as the mesh can be easily damaged by applying too much pressure when scrubbing forcefully.
3. Leave to dry naturally out of direct sun light.

To clean filters by dishwasher ensure the following:

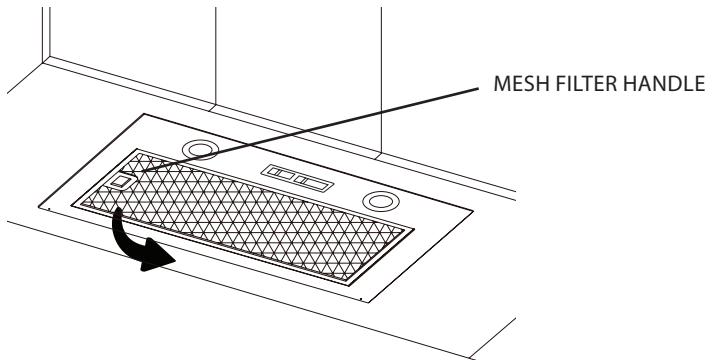
1. Filters should be washed separately to crockery and kitchen utensils.
2. Ensure the mesh filters are placed as to avoid any damage to the soft mesh filter.
3. We recommend you do not use rinse aid when washing filters in dishwasher.
4. Ensure filters are dry or leave to dry naturally out of direct sun light.

The aluminium filter panels may change colour after several washes, this can be expected and not included under warranty.

INSTALLING GREASE MESH FILTERS

The rangehood mesh filters can be replaced by following instructions:

1. Angle the filter into the slots in the rangehood at the opposite side of the handle.
2. Push in and hold the slider on the release handle of the filter and position the handle side.
3. Release the handle once the filter fits into a resting position.
4. Ensure that the filter is secured properly so that it doesn't loosen and fall off.



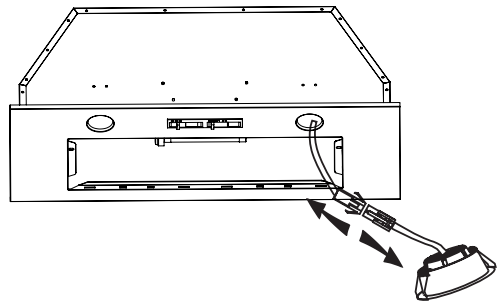
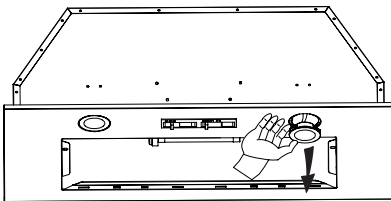
LIGHT BULB REPLACEMENT

⚠ The light bulb must be replaced by the manufacturer, its service agent or similarly qualified person.

- Always switch off the electricity supply before carrying out any operations on the appliance, including when changing the light bulb.
- When handling bulb, make sure it is completely cool down before any direct contact to hands.
- When handling globes hold with a cloth or gloves to ensure perspiration does not come in contact with the globe as this can reduce the life of the globe.

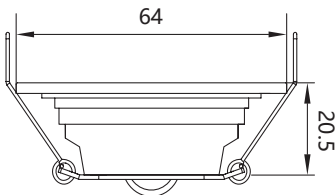
To replace the light bulb for this appliance, follow instructions:

1. Remove mesh grease filters (refer to instructions if necessary).
2. Use a tool or by hand press the spring splinter of both sides of LED light to the inside, until the light is pressed out.
3. Then gently pull the light connecting wire out and replace the lights.
4. Apply and reverse procedure to install the light back, and replace the mesh filters.




ILCOS D code for this lamp is: DBR-1.5/65-H-64
Dimensions: 20.5mm x 64mm

Max wattage: 2 x 1.5W
Voltage range: AC 220-240V



TROUBLESHOOTING

 **Any electrical repairs to this appliance must conform to your local, state and federal regulations. If in any doubt, please contact the service center before undertaking troubleshooting.**

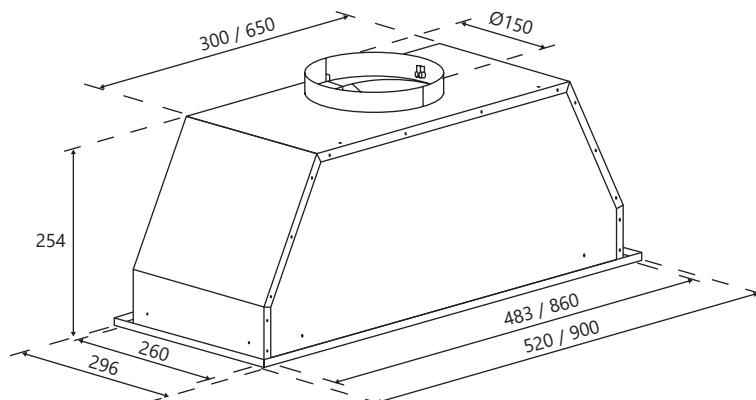
- **CAUTION:** Always disconnect the unit from the power source when troubleshooting the unit.
- Repairs may only be carried out by Service Engineers or an authorised service agent.
- Any modifications or use of this appliance for any other purpose or in any other environment than intended will void warranty.

Fault	Possible Cause	Solution
Light on, but motor does not work	Fan switch turned off	Select a fan switch position.
	Fan switch failed	Contact service center.
	Motor failed	Contact service center.
Light does not work, motor does not work	Power cord loose or disconnected	Refit cord to power outlet. Switch power outlet on.
	House fuses blown	Reset/Replace fuses.
Oil leakage	One way valve and the outlet are not tightly sealed	Take down the one way valve and seal with sealant.
	Leakage from the connection of chimney and cover	Take chimney down and seal.
Lights not working	Broken/Faulty globes	Replace globes as per this instruction.
Insufficient suction	Inadequate ventilation or air outlet blocked	Ensure the kitchen is adequately vented. Ensure the outlet is free from blockage.
	The distance between the rangehood and the gas top is too far	Refit the rangehood to the correct distance.
The range hood inclines/ not straight	The fixing screw not tight enough	Tighten the hanging screw to make it horizontal.
Hood vibrates during operation	Leaf is damaged	Replace the leaf.
	The body or motor not secured properly	Secure the motor or tighten the body.

TECHNICAL DATA & SPECIFICATION

Specification

Model	SRU-0682S	SRU-0685S
Width	520 mm	900 mm
Depth	296 mm	296 mm
Height	254mm	254mm
Cabinet Cut Out	490mm x 265mm	865mm x 265mm
Install Over Cooktop with	4 or less burners/elements	6 or less burners/elements
Weight (G.W / N.W)	7.5kg/6.5kg	9.5kg/8.5kg
Illumination	2x LED Lamp (1.5W)	2x LED Lamp (1.5W)
Extraction/ Max Air Flow	700m3/h	700m3/h
Functions/Speed	3 Speed	3 Speed
Noise When Working	52-59 dB(A)	52-59 dB(A)
Rated Voltage	220-240V / 50Hz	220-240V / 50Hz
Rated Motor Input Power	190W	190W
Max Rated Inputs (Total power)	193W	193W



DECLARATION OF CONFORMITY

AUSTRALIAN STANDARDS

This product has been designed and manufactured to comply with all relevant Australian and New Zealand Standards.

AS/NZS 60335.1 General Requirements for Domestic Electrical Appliances

AS/NZS 60335.2.6 Specific Requirements for Domestic Electrical Cooking Appliances

This appliance is SAA certified.

Installation of the appliance must be only be undertaken by a licensed electrician who can provide a compliance certificate.

This appliance is intended for domestic use only.

DISPOSAL

Do not dispose of electrical appliances as unsorted municipal waste, use appropriate collection facilities. Contact your local council for information regarding collection systems available.

Copyright © SALINI Appliances 2022. All rights reserved.

The product specifications in this booklet apply to the specific products and models described at the date of issue, these specifications or recommendations may change at any time. The information and graphics may contain technical inaccuracies or typographical errors.

SALINI