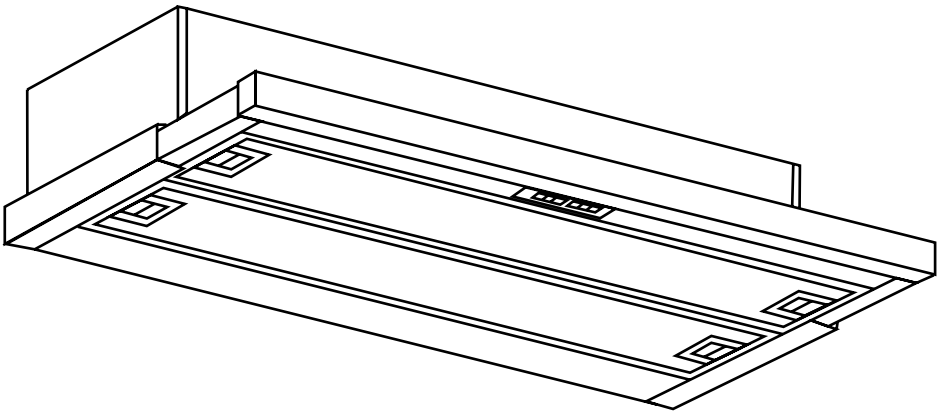


# SALINI

---

## RETRACTABLE RANGEHOOD User Manual & Installation



**SRR-6225W**

[WWW.SALINI.COM.AU](http://WWW.SALINI.COM.AU)



## TABLE OF CONTENTS

<b>IMPORTANT SAFETY INFORMATION</b>	<b>4-5</b>
<b>INSTALLATION</b>	<b>6-7</b>
<b>USING YOUR APPLIANCE</b>	<b>8</b>
<b>MAINTENANCE AND CLEANING</b>	<b>9-11</b>
<b>TROUBLESHOOTING</b>	<b>12</b>
<b>TECHNICAL DATA &amp; SPECIFICATION</b>	<b>13</b>
<b>DECLARATION OF CONFORMITY</b>	<b>14</b>



Installation of the appliance must be only be undertaken by a licensed electrician.

This manual contains important information including safety, operational & installation information which will enable you to get the most out of your appliance. Please keep it in a safe place so that it is easily available for future reference; for you or any person not familiar with the operation of the appliance.

# IMPORTANT SAFETY INFORMATION

## GENERAL INFORMATION

- Carefully read the following important information regarding installation safety and maintenance. Keep this information booklet accessible for further consultations.
- This appliance is designed for domestic household use and designed be used indoors only.
- **IMPORTANT:** Your product warranty will be void if the installation is not in accordance with the instructions. The installation must be carried out by a suitably qualified person, in accordance with the with the manufacturer's instructions, and must be connected in accordance with all applicable electrical regulations.
- The use of this appliance for any other purpose or in any other environment will void warranty.
- Your new appliance is guaranteed against electrical or mechanical defects, subject to certain exclusions, the foregoing does not affect your statutory rights.
- Repairs may only be carried out by Service Engineers or an authorised service agent.
- Check the appliance for damage after unpacking it. Do not connect or install the appliance if it has been damaged in transport as this will void the warranty.

## WARNING AND SAFETY INSTRUCTIONS



**CAUTION!** Ensure there is adequate ventilation of the room when the range hood is used at the same time as appliances burning gas or other fuels.

- All installation work must be carried out by a qualified electrician.
- The range hood is used on 220/240v, 50Hz.
- This appliance complies with all current Australian and European safety legislation, and designed to operate safely in normal domestic use.
- Appliance shall only be used with rated voltage and frequency.
- Before installation and usage, read all the instructions and make sure that the voltage (V) and the frequency (Hz) indicated on your cooker hood are exactly the same as the voltage (V) and the frequency (Hz) in your home.
- The range hood must be installed in accordance with the installation instructions and all measurements followed in accordance with local regulation.
- Ensure adequate ventilation in the environment for the safe operation of the range hood.
- When in extraction mode, air in the room is being removed by the cooker hood. Please make sure that proper ventilation measures are being observed. The cooker hood removes odours from room but not steam.
- Do not exhaust the air from the range hood through the same flue that is used for exhausting fumes from other appliances burning gas or other fuels.
- Follow the local laws applicable for external air exhaustion.
- Make sure the ducting has no bends sharper than 90 degrees as this will reduce the efficiency of

the range hood.

- Do not leave frying pans unattended during use.
- Always put lids on pots and pans when cooking on a gas cook top.
- Do not flambé or leave naked flames under the range hood.
- **WARNING:** Danger of fire: do not store items on cooking surfaces.
- **NEVER** try to extinguish a fire with water, but switch off the appliance and then cover flame e.g. with a lid or a fire blanket.
- There is a fire risk if cleaning is not carried out in accordance with the instructions.
- Do not use a steam cleaner on appliance.
- There are sharp edges inside the appliance, it is important to take care to avoid injury especially during installation and cleaning.
- Do not use the range hood without grease filters or if the filters are excessively greasy.
- Do not check the status of the filters while the cooker hood is operating.
- Cleaning and user maintenance shall not be made by children without supervision.
- **CAUTION:** Accessible parts may become hot when used with cooking appliances.
- Do not touch the light bulbs after appliance use.
- Do not disconnect the appliance with wet hands or force the supply cord.
- Disconnect the electrical plug prior to any maintenance or cleaning.
- Cleaning should be carried out in accordance with the "Cleaning and Maintenance" section to avoid possible hazards.
- This appliance is not intended for use by persons (including children) with reduced physical, sensory or mental capabilities, or lack of experience and knowledge, unless they have been given supervision or instruction concerning use of the appliance by a person responsible for their safety.
- If the appliance is damaged or faulty do not attempt use.
- In the event of any incident caused by a technical fault, disconnect the power and report the fault to be repaired before use.
- If the power cord is damaged it must be replaced by the manufacturer or a qualified service engineer.

## ELECTRICAL CAUTION



**CAUTION!** Cleaning operations must only be carried out when the range hood is cool and disconnected from the power supply.

- Any work on electric equipment and systems may only be carried out by a qualified electrician.
- In case of any damage, switch off the appliance and disconnect it from the power supply.
- Before obtaining access to terminals, all supply circuits must be disconnected.
- Failure to install the screws or fixing device in accordance with these instructions may result in electrical hazards.
- **WARNING:** Always switch off the electricity supply at the mains during installation and during maintenance such as before replacing the light globe to avoid the possibility of electric shock.

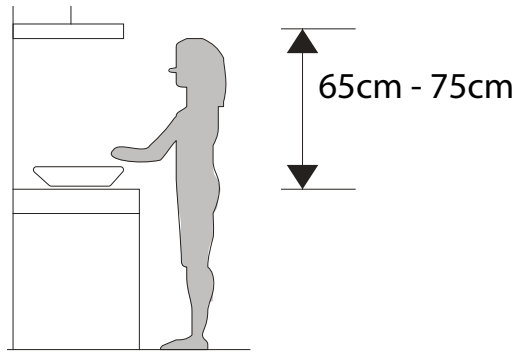
# INSTALLATION

**⚠ This product must be installed by a suitably qualified trades person.**

- Any work on electric equipment and systems may only be carried out by a qualified electrician.
- Before obtaining access to terminals, all supply circuits must be disconnected.
- Failure to install the screws or fixing device in accordance with these instructions may result in electrical hazards.
- **WARNING:** Always switch off the electricity supply at the mains during installation and during maintenance such as before replacing the light globe to avoid the possibility of electric shock.

## SETTING POSITION

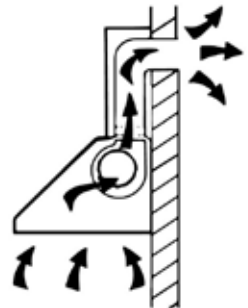
The range hood should be installed with adequate distance from the cooking surface in accordance with local regulations. A distance of between 65-75cm from the cooking surface will ensure maximum efficiency of the range hood exhaust.



## EXHAUST

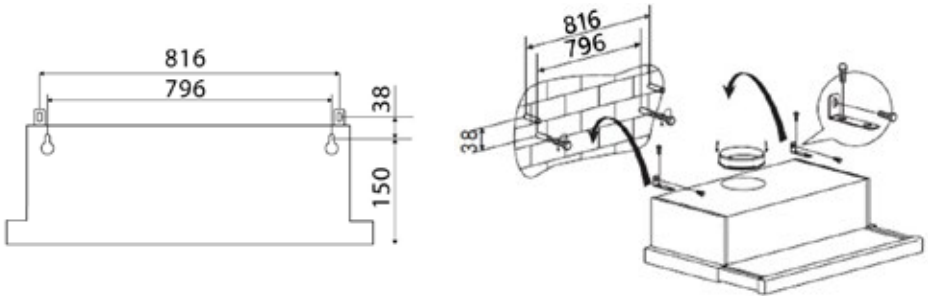
If the installation will have the exhaust outlet to the outside, the range hood can be connected (see example diagram) by means of an extraction duct (enamel, aluminum, flexible pipe or non-flammable material with an interior diameter of 120mm).

- Do not exhaust the air from the range hood through the same flue that is used for exhausting fumes from other appliances burning gas or other fuels.
- Make sure the ducting has no bends sharper than 90 degrees as this will reduce the efficiency of the range hood.
- Follow the local laws applicable for external air exhaustion.
- We recommend to install an expansion pipe from valve to hole in wall or ceiling to create efficient exhaust.
- Expansion pipe is not included.



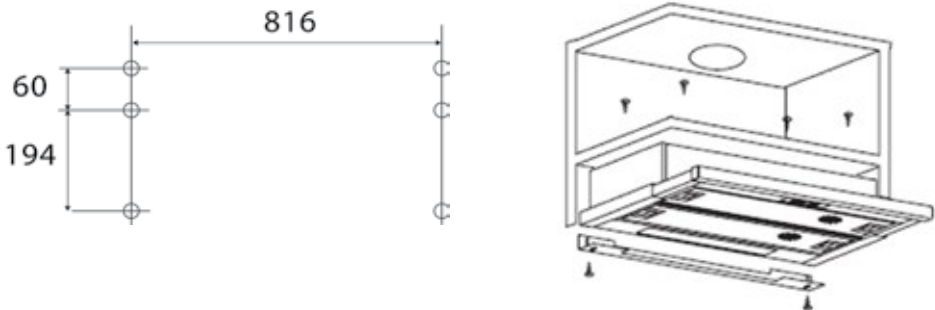
## FIXING TO WALL FOR WALL MOUNTED INSTALLATION

1. Mark out the position of the fixing screws on the wall in accordance to the center distance of the mounting holes in the back of the range hood and example diagram.
2. Drill 4x holes of  $\varnothing 8\text{mm}$  in the wall in the required position.
3. Insert bolts to bottom holes then hang range hood on bolts.
4. Install bracket and screws into remaining holes in wall.
5. Attach the one way valve to the outlet on the range hood
6. Install the expansion pipe from valve to hole in wall.



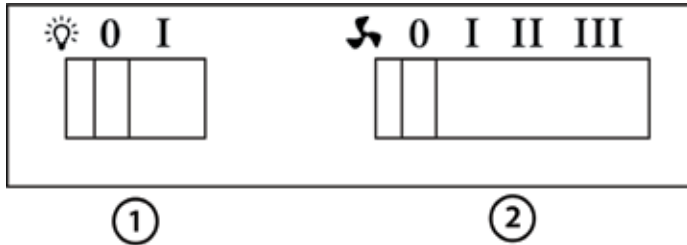
## FIXING INSIDE CABINET FOR CONCEALED INSTALLATION

1. Mark out the position of the fixing screws on cabinet top board in accordance to the mounting holes in the top of the range hood and example diagram.
2. Drill 4x holes of  $\varnothing 4\text{mm}$  through the cabinet top in the required position.
3. Fix and tighten the range hood with enclosed 4 M4 Screws and flat washers.
4. Install the adjusted board on the bottom of the hood to close the gap between hood and back of cupboard if required.
5. Attach the one way valve to the outlet on the range hood.
6. Install the expansion pipe from valve to hole in wall or ceiling.



# USING YOUR APPLIANCE

## TOGGLE SWITCH



1. Lamp – Turn on/off light
  - a) "0" – to switch off light
  - b) "I" – to switch on light
  - c) Power – Slide out drawer, power on; slide in drawer, power off.
  
2. Speed –select speed to suit cooking conditions
  - a) "0" – to switch off motor
  - b) Low ( I )– Light frying/boiling
  - c) Medium ( II ) – Frying/wok cooking/heavy boiling
  - d) High ( III ) – Grilling, intensive frying and wok cooking
  - e) Power – Slide out drawer, power on; slide in drawer, power off.



# CLEANING & MAINTENANCE



**Before any cleaning or maintenance on this appliance is carried out, the appliance should be disconnected from the main power supply. Ensure that the appliance is switched off at the wall socket and the plug removed.**

- **CAUTION:** Accessible parts may become hot when used with cooking appliances.
- There is a fire risk if cleaning is not carried out in accordance with the instructions.
- There are sharp edges inside the appliance, it is important to take care to avoid injury especially during installation and cleaning.
- Cleaning and user maintenance shall not be made by children without supervision.
- Do not use a steam cleaner on appliance.

## GENERAL

External surfaces of the appliance are susceptible to scratches and abrasions, so it is important to follow the cleaning instructions to avoid damage to surface.

The range hood and its filter mesh should be cleaned regularly in order to keep in good working order.

Cleaning and maintenance should be carried out with the appliance cold especially when cleaning, so before commencing please ensure any heat caused by cooking is completely cooled.

Avoid leaving alkaline or acid substances (lemon juice, vinegar etc.) on the surfaces as they may damage the finish of the surface.



Some household detergents and cleaning products contain harsh chemicals and abrasives, they can damage the finish of the appliance and potentially remove printed markings. Damages caused by improper care will not be covered under manufacturers warranty.

## STAINLESS STEEL

Any stainless steel must be cleaned regularly (e.g. weekly) to ensure long life expectancy. Dry with a clean soft cloth. A specific stainless steel cleaning cleaner may be used, please follow instructions carefully for best results.



Ensure that wiping is done along with the grain of the stainless steel to prevent any unsightly crisscross scratching patterns from appearing.

## CONTROL PANEL

The inlay control panel can be cleaned using warm soapy water. Ensure the cloth is clean and well wrung before cleaning. Use a dry soft cloth to remove any excess moisture left after cleaning.

Using neutral detergents and avoid using harsh cleaning chemicals, strong household detergents or products containing abrasives, as this will affect the appliance appearance and potentially remove any printing of artwork on the control panel.

### REMOVING GREASE MESH FILTERS

The range hood mesh filters are released by pushing in and holding the slider on the release handle of the filter. Once the side of the filter is released from the hood, gently pull down the filter and release from the opposite side.

### CLEANING GREASE MESH FILTERS

The range hood and its filter mesh should be cleaned regularly in order to keep in good working order.

The mesh filters should be cleaned by hand. By following instructions:

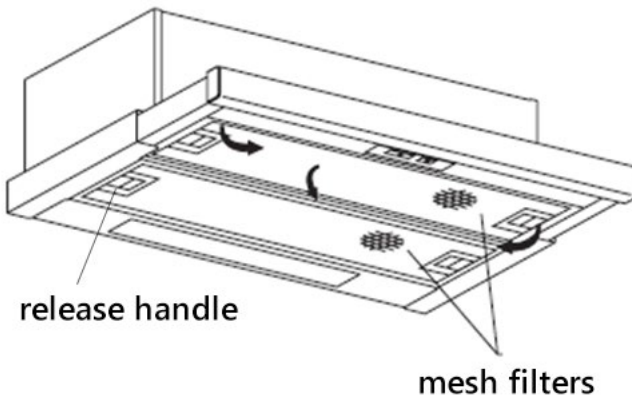
1. Soak them for about 3 minute in water with a grease-loosening detergent.
2. Brush them gently with a soft brush. Do not apply too much pressure as the mesh can be easily damaged by applying too much pressure when scrubbing forcefully.
3. Leave to dry naturally out of direct sun light.

Filters should be washed separately to crockery and kitchen utensils. We recommend to avoid the use rinse aid.

### INSTALLING GREASE MESH FILTERS

The range hood mesh filters can be replaced by following instructions:

1. Angle the filter into the slots at the back of the hood.
2. Push in and hold the slider on the release handle of the filter.
3. Release the handle one the filter fits into a resting position.
4. Repeat to install all filters.



**⚠ The light bulb must be replaced by the manufacturer, its service agent or similarly qualified person.**

- Always switch off the electricity supply before carrying out any operations on the appliance, including when changing the light bulb.
- When handling bulb, make sure it is completely cool down before any direct contact to hands.
- When handling globes hold with a cloth or gloves to ensure perspiration does not come in contact with the globe as this can reduce the life of the globe.

To replace the light bulb for this appliance, follow instructions:

1. Remove mesh grease filters (refer to instructions if necessary)
2. Locate the junction box, unscrew the screws on the junction box cover, then take down the junction box cover (If there is wire pressing plate which pressed the light wire, the wire pressing plate needs to be dismantled first). Note: The junction box may vary slightly on different models, below references Method 1 or Method 2 depending on model.
3. Locate the terminal of the light connecting wire and pull it out. See example Diagram 1.
4. Take out the LED light:

Method 1. Use a tool or the hand to press the spring splinter of both sides of LED light to the inside, until the light is pressed out, See example Diagram 2. Then slightly pull the light connecting wire out, See example Diagram 3.

Method 2. Use straight screwdriver to prize up the LED light bottom edge, See example Diagram 4 then slightly pull out the light connecting wire, See example Diagram 3.

5. Apply and reverse procedure to install the light back, and replace the mesh filters.

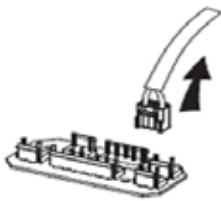


Diagram 1

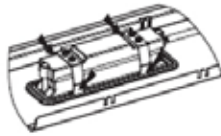


Diagram 2

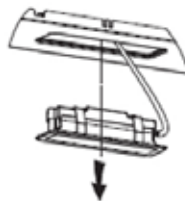


Diagram 3



Diagram 4

ILCOS D code for this lamp is: DBS-2/65-H-120/33

Max wattage: 2 W


Dimensions: 120mm x 33mm radius 6mm

LED modules –rectangle lamp

Voltage range: AC 110-240V



# TROUBLESHOOTING

 **Any electrical repairs to this appliance must conform to your local, state and federal regulations. If in any doubt, please contact the service center before undertaking troubleshooting.**

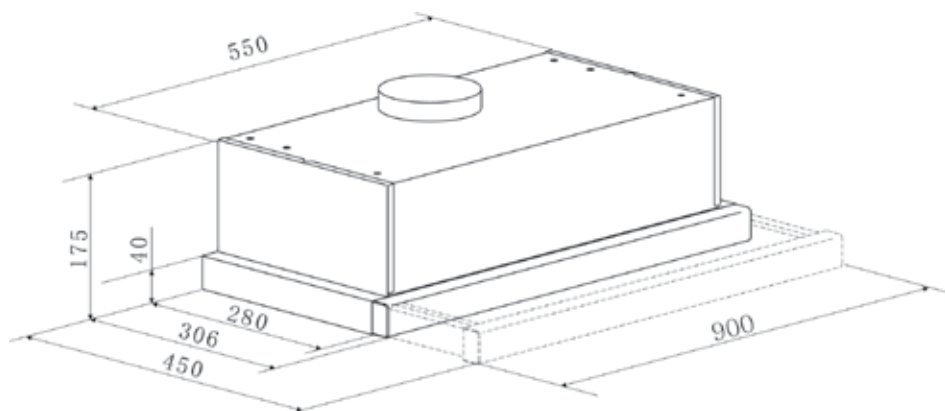
- **CAUTION:** Always disconnect the unit from the power source when troubleshooting the unit.
- Repairs may only be carried out by Service Engineers or an authorised service agent.
- Any modifications or use of this appliance for any other purpose or in any other environment than intended will void warranty.

Fault	Possible Cause	Solution
Light on, but motor does not work	Fan switch turned off	Select a fan switch position.
	Fan switch failed	Contact service center.
	Motor failed	Contact service center.
Light does not work, motor does not work	Power cord loose or disconnected	Refit cord to power outlet. Switch power outlet on.
	House fuses blown	Reset/Replace fuses.
Oil leakage	One way valve and the outlet are not tightly sealed	Take down the one way valve and seal with sealant.
	Leakage from the connection of chimney and cover	Take chimney down and seal.
Lights not working	Broken/Faulty globes	Replace globes as per this instruction.
Insufficient suction	The distance between the cooker hood and the gas top is too far	Refit the cooker hood to the correct distance.
The range hood inclines/ not straight	The fixing screw not tight enough	Tighten the hanging screw to make it horizontal.

# TECHNICAL DATA & SPECIFICATION

## Specification

Model	SRR-6225W
Width	900 mm
Depth	306 - 450 mm
Height/Max Height	175mm
Extraction/ Max Air Flow	440m3/h
Functions/Speed	3 speed
Noise When Working	71 dB(A) top speed
Rated Voltage	220-240V / 50Hz
Max Rated Inputs (Total power)	202W



# DECLARATION OF CONFORMITY

## AUSTRALIAN STANDARDS

This product has been designed and manufactured to comply with all relevant Australian and New Zealand Standards.

AS/NZS 60335.1 General Requirements for Domestic Electrical Appliances

AS/NZS 60335.2.6 Specific Requirements for Domestic Electrical Cooking Appliances

This appliance is SAA certified.

Installation of the appliance must be only be undertaken by a licensed electrician who can provide a compliance certificate.

This appliance is intended for domestic use only.

## DISPOSAL

Do not dispose of electrical appliances as unsorted municipal waste, use appropriate collection facilities. Contact your local council for information regarding collection systems available.



Copyright (C) SALINI Appliances 2019. All rights reserved.

The product specifications in this booklet apply to the specific products and models described at the date of issue, these specifications or recommendations may change at any time. You should check with your Dealer for the latest issue, or visit our website for more information.

**SALINI**