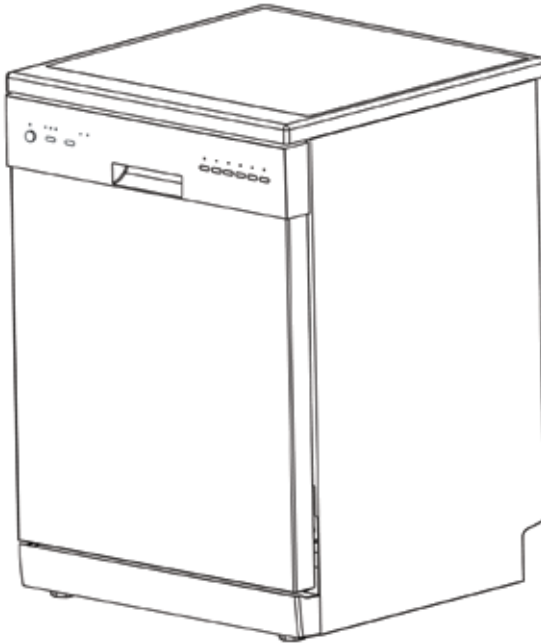


SALINI

DISHWASHER User Manual



SDF-4012S

TABLE OF CONTENTS

| | |
|---|--------------|
| IMPORTANT SAFETY INFORMATION | 4-5 |
| APPLIANCE OPERATION | 6-14 |
| CONTROL PANEL OVERVIEW | 6 |
| COMPONENTS OVERVIEW | 7 |
| LOADING DISPENSERS | 7-10 |
| LOADING THE DISHWASHER | 10-13 |
| TURNING ON THE APPLIANCE | 13-14 |
| WASHING PROGRAMS | 15 |
| MAINTENANCE & CLEANING | 16-18 |
| INSTALLATION | 18-20 |
| TROUBLESHOOTING | 21-24 |
| TECHNICAL DATA & SPECIFICATION | 25 |
| DECLARATION OF CONFORMITY | 26 |
| DISPOSAL | 26 |



Installation of the appliance must be only be undertaken by a licensed installer.

This manual contains important information including safety, operational, maintenance & installation information which will enable you to get the most out of your appliance. Please keep it in a safe place so that it is easily available for future reference; for you or any person not familiar with the operation of the appliance.

IMPORTANT SAFETY INFORMATION

IMPORTANT INFORMATION

- Carefully read the following important information regarding installation safety and maintenance.
- Keep this information booklet accessible for further consultations.
- This appliance is designed for domestic household use and designed to be installed under a kitchen bench top or freestanding. For indoor use only.
- **IMPORTANT:** Your product warranty will be void if the installation is not in accordance with the instructions. The installation must be carried out by a suitably qualified person, in accordance with the manufacturer's instructions, and must be connected in accordance with all applicable electrical and plumbing regulations.
- All installation work must be carried out by a qualified installer.
- Repairs may only be carried out by service engineers or an authorised service agent.
- The use of this appliance for any other purpose or in any other environment will void warranty.
- Your new appliance is guaranteed against electrical or mechanical defects, subject to certain exclusions, the foregoing does not affect your statutory rights.
- Check the appliance for damage after unpacking it. Do not connect or install the appliance if it has been damaged in transport as this will void the warranty.
- Information, specifications and recommendations can change without notice.
- We recommend you review the troubleshooting information before calling a technician.

WARNING AND SAFETY INSTRUCTIONS



WARNING! Hydrogen gas is explosive.

Under certain conditions hydrogen gas may be produced in a hot-water system that has not been used for two weeks or more. **HYDROGEN GAS IS EXPLOSIVE.** If the hot-water system has not been used for such a period, before using the dishwasher turn on all hot-water faucets and let the water flow from each for several minutes. This will release any accumulated hydrogen gas. As the gas is flammable, do not smoke or use an open flame during this time.



WARNING! Proper use & precautions are as follows.

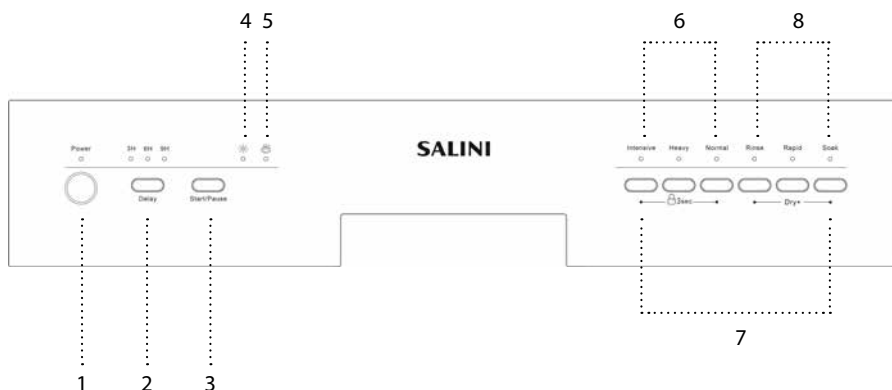
- Do not abuse, sit on, or stand on the door or dish basket of the dishwasher.
- Do not touch the heating element during or immediately after use.
- Do not operate your dishwasher unless all enclosure panels are properly in place.
- Open the door very carefully if the dishwasher is operating. There is a risk of water splashing out.
- Do not place any heavy objects or stand on the door when it is open. The appliance could tip forward.

- The door should not be left in the open position since this could present a tripping hazard.
- When loading items to be washed:
 - Locate sharp items so that they are not likely to damage the door seal;
 - Load sharp knives with the handles up to reduce the risk of cut-type injuries;
- **WARNING:** Knives and other utensils with sharp points must be loaded in the basket with their points down or placed in a horizontal position.
- When using your dishwasher, you should prevent plastic items from contracting with heating element.
- Check that the detergent receptacle is empty after completion of the wash cycle.
- Do not wash plastic items unless they are marked dishwasher safe or the equivalent. For plastic items not so marked, check the manufacturer's recommendations.
- Use only detergent and rinse additives designed for an automatic dishwasher. Never use soap, laundry detergent or hand washing detergent in your dishwasher.
- Keep children away from detergent and rinse aid, keep children away from the open door of the dishwasher, there could still be some detergent left inside.
- Young children should be supervised to ensure that they do not play with the appliance.
- This product is not designed for use by persons (including children) who have reduced physical, sensory or mental capacities or persons with no experience or knowledge, unless they are instructed and supervised in the use of the appliance by a person responsible for their safety.
- Dishwasher detergents are strongly alkaline. They can be extremely dangerous if swallowed.
- When handling detergents avoid contact with skin and eyes.
- Keep children away from the dishwasher when the door is open.
- If the supply cord is damaged, it must be replaced by the manufacturer or its service agent or a similarly qualified person in order to avoid a hazard.
- Please dispose of packing materials properly to avoid choking hazards.
- Use the dishwasher only for its intended function.
- During installation, the power supply must not be excessively or dangerously bent or flattened.
- Do not tamper with controls.
- The appliance is to be connected to the water mains using new hose sets, and the old hose-sets should not be reused.
- In case of any damage, switch off the appliance and disconnect it from the power supply.
- Do not pull on the power cable to disconnect the appliance. Always pull on the plug itself.
- Other means for disconnection from the supply must be incorporated in the fixed wiring with at least 3mm contact separation in all poles.
- If the appliance is damaged or faulty do not attempt use.
- Do not open the casing of the unit, or attempt to open or dismantle sealed compartments.
- Carry the appliance with at least two persons, appliance is heavy and requires two persons lift.
- Make sure that the carpet must not obstruct the openings at the bottom base.
- Indoor use only.

 **CAUTION!** This product must be installed & serviced by a suitably qualified person.

APPLIANCE OPERATION

CONTROL PANEL OVERVIEW

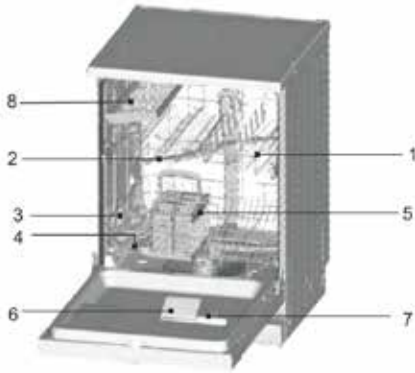


- 1. POWER SWITCH**
Controls the power supply.
- 2. DELAY TIME**
Pressing the DELAY pad one time can select 3h delay time, continuous pressing second time will increase the delay hours to 6h, third time increase to 9h. Continuous pressing the fourth time can cancel the delay selection.
- 3. START/PAUSE BUTTON**
Press this button to start or pause the dishwasher, the light will come when starting.
- 4. RINSE AID LIGHT**
Will come on when dispenser needs to be refilled.
- 5. DRY+ INDICATOR LIGHT**
An increased temperature will improve the drying process during the final rinse stage.
- 6. CHILD LOCK**
Press and hold the Intensive & Normal button at the same time for 3 seconds, the Intensive & Normal lights will flash 6 times, and "Child Lock" will be activated. To unlock the dishwasher controls, Press the same button in the same way, the "Child Lock" will be inactivated.
- 7. PROGRAM BUTTON**
To select washing program when press the button.
- 8. DRY+ FUNCTION**
Press and hold the RINSE & SOAK button at the same time for 3 seconds. The Dry + indicator will be available. To cancel the dry + function, press the same buttons in the same way.

The 6 LED program lights under the cycle program buttons indicate the state of the dishwasher:

- All program lights off indicates "standby mode"
- One of the program lights on indicates "cycle is running"
- One of the program lights blinking indicates "paused"
- See troubleshooting for other light indicator error codes

DISHWASHER COMPONENTS OVERVIEW



1. Upper Basket
2. Spray Arms
3. Lower Basket
4. Water Softener
5. Cutlery Basket
6. Detergent Dispenser
7. Rinse Aid Dispenser
8. Fork Shelf

LOADING DISPENSERS

Before using your dishwasher for the first time:

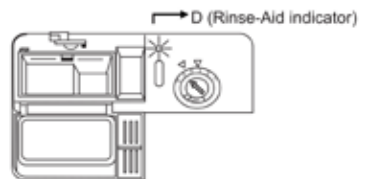
- a) Fill the rinse aid dispenser
- b) Understand the function and add appropriate detergent

RINSE AID DISPENSER

Rinse aid is automatically added during the last rinse, ensuring thorough rinsing, spot and streak free drying. Fill the rinse aid dispenser before use and ensure rinse aid reservoir is kept full to maximize cleaning. You can judge the amount of rinse-aid by the colour of the optical level indicator "D" located next to the cap. When the rinse-aid container is full, the whole indicator will be dark. As the rinse aid diminishes, the size of the dark dot decreases. You should never let the rinse aid get below 1/4 full.

As the rinse aid diminishes, the size of the black dot on the rinse aid level indicator changes, as illustrated below:

- Full
- ◐ 3 / 4 full
- ◑ 1 / 2 full
- ◒ 1 / 4 full - Should refill to eliminate spotting
- Empty



NOTE: Only use branded rinse aid for dishwasher. Never fill the rinse aid dispenser with any other substances (e.g. dishwasher cleaning agent, liquid detergent). This would damage the appliance.

FILL THE RINSE AID DISPENSER

1. To open the dispenser, turn the cap to the “open” (left) arrow and lift it out.
2. Pour the rinse aid into the dispenser, be careful not to overfill.
3. Replace the cap by inserting it aligned with “open” arrow and turning it to the “closed” (right) arrow.



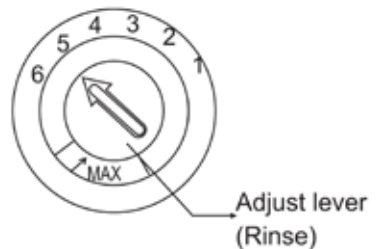
The rinse aid is released during the final rinse to prevent water from forming droplets on your dishes that can leave spots and streaks. It also improves drying by allowing water to sheet off the dishes. Your dishwashers are designed to use liquid rinse aids. The rinse aid dispenser is located inside the door next to the detergent dispenser. To fill the dispenser, open the cap and pour the rinse aid into the dispenser until the level indicator turns completely black. The volume of the rinse aid container is about 140ml.

Be careful not to overfill the dispenser, because this could cause over sudsing. Wipe away any spills with a damp cloth. Don't forget to replace the cap before you close dishwasher door.



NOTE: Clean up any spilt rinse aid with an absorbent cloth to avoid any access foaming during the next wash cycle.

The rinse aid dispenser has four or six settings. Always start with the dispenser set on (4) setting, if there are spots and poor drying are a problem, increase the amount of rinse aid dispensed by removing the dispenser lid and rotating the dial to (5). If the dishes still are not drying properly or are spotted, adjust the dial to the next higher number until your dishes are spot-free. The factory setting is set in position (5).



If there are drops of water or lime spots on the dishes after washing, we recommending increasing the amount. If there are sticky whitish streaks on the dishes or a bluish film on glassware or knife blades, then we recommend reducing the amount dispensed.

DETERGENT TYPES

Detergents with its chemical ingredients are necessary to remove dirt, crush dirt and transport it out of the dishwasher. Most of commercial quality dishwashing detergents are suitable for this purpose.

- Concentrated Detergent

Based on their chemical composition, dishwasher can be split in two basic types:

- a) conventional, alkaline detergents with caustic components
- b) low alkaline concentrated detergents with natural enzymes

The use of “normal” washing program in conjunction with concentrated detergents reduces pollution and is good for your dishes; these washing programs are specially matched to the dirt dissolving properties of the enzymes of the concentrated detergent. For this reason “normal” washing program in which concentrated detergents are used can achieve the same results that can otherwise only be achieved using “intensive” program.

- Detergent Tablets

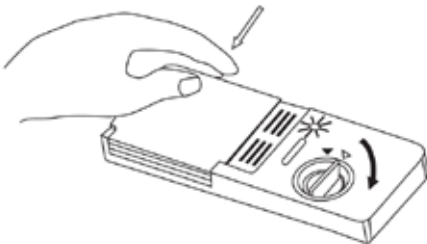
Detergent tablets of different brands dissolve at different speeds. For this reason some detergent cannot dissolve and develop their full cleaning power during short programs. Therefore please use long programs when using detergent tablets, to ensure the complete removal of detergent residuals.

FILL THE DETERGENT DISPENSER

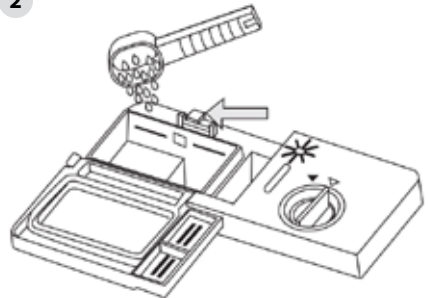
The dispenser must be refilled before the start of each washing cycle following the instructions provided (see table in section “WASHING PROGRAM”). Your dishwashers use less detergent and rinse aid than conventional dishwashers. Generally, only one tablespoon of detergent is needed for a normal wash load. Also, more heavily soiled items need more detergent. Always add the detergent just before starting dishwasher, otherwise it could get damp and will not dissolve properly.

1. If the lid is closed, press on the release button. The lid will spring open
2. Fill in detergent into compartment (see further information)
3. Close the lid by gently pressing until it locks in place

1



2



Use only detergent specifically made for use in dishwashers.

Keep your detergent fresh and dry.

Don't put powder detergent into the dispenser until you're ready to wash dishes.

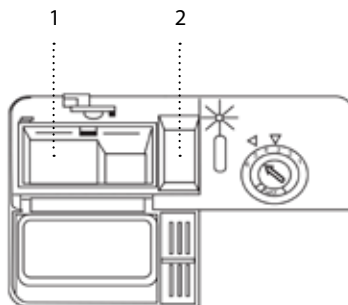
Please observe the manufacturer's dosing and storage recommendations as stated on the detergent packaging.



CAUTION! Dishwasher detergent is corrosive! Keep it out of reach of children.

THE DETERGENT DISPENSER

1. The place of main wash cycle detergent placed (approximately 20g of detergent)
2. The place of pre-wash cycle detergent placed (approximately 5g of detergent)



If the dishes are heavily soiled, place an additional detergent dose in the pre-wash detergent chamber. This detergent will take effect during the pre-wash phase. Please observe the manufacturer's recommendations on the detergent packaging.

You find information about the amount of detergent for the single program on the last page. Please be aware that according to the level soiling and the specific hardness of water, differences are possible.

LOADING THE DISHWASHER

Read and follow the important loading considerations outlined in this section to ensure safety and washing performance.

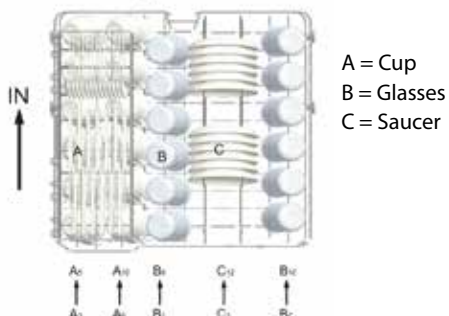
NOTE: Features and appearance of baskets and cutlery tray in depiction may vary from your model.

1. Scrape off any large amounts of leftover food. It is not necessary to rinse the dishes under running water.
2. Place objects in the dishwasher in the following way:
 - a) Items such as cups, glasses, pots/pans, etc. are placed upside down
 - b) Curve items, or those with recesses, should be at a slant so that water can run off
 - c) They are stacked securely and can not tip over
 - d) Items do not prevent the spray arms from rotating while washing takes place
 - e) Items are not protruding under or out of baskets as they could obstruct baskets rolling
 - f) Load the lower baskets first before moving to higher baskets

UPPER BASKET

The upper basket is designed to hold more delicate and lighter dishware such as glasses, coffee and tea cup and saucers, as well as plates, small bowls and shallow pans (as long as they are not too dirty). Position the dishes and cookware so that they do not get moved by the spray of water.

The basket can be pulled out for easy loading.



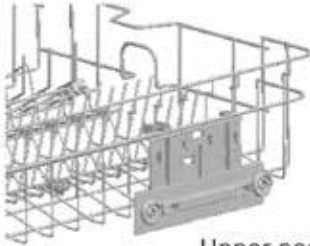
UPPER BASKET HEIGHT ADJUSTMENT

Basket height adjustment mechanism on the upper basket of your machine is design to let you adjust the height of your upper basket upwards or downwards without removing it from your machine when it is full and create large spaces at the top or bottom area of your machine as needed. Basket of your machine is set to lower position in factory settings.

In order to raise your basket, hold it from both sides and pull it upwards. In order to lower it, hold it from both sides again and leave it.

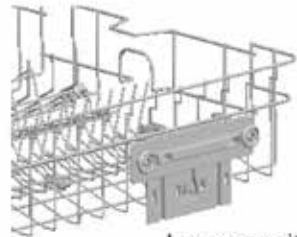
In loaded basket adjustment mechanism, make sure that both sides are in the same position (up or down).

1



Upper position

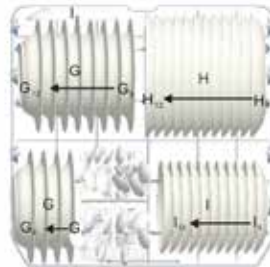
2



Lower position

LOWER BASKET

We recommend that you place large items which are most difficult to clean into the lower basket: pots, pans, lids, serving dishes and bowls, as shown in the figure. It is preferable to place serving dishes and lids on the side of the baskets in order to avoid blocking the rotation of the top spray arm. Pots, serving bowls, etc. must always be placed top down. Deep pots should be slanted to allow water to flow out. The bottom basket features fold down tine rows so that larger or more pots and pans can be loaded. The basket can be pulled out for easy loading.



G = Soup Bowl
H = Dinner Plate
I = Dessert Plate

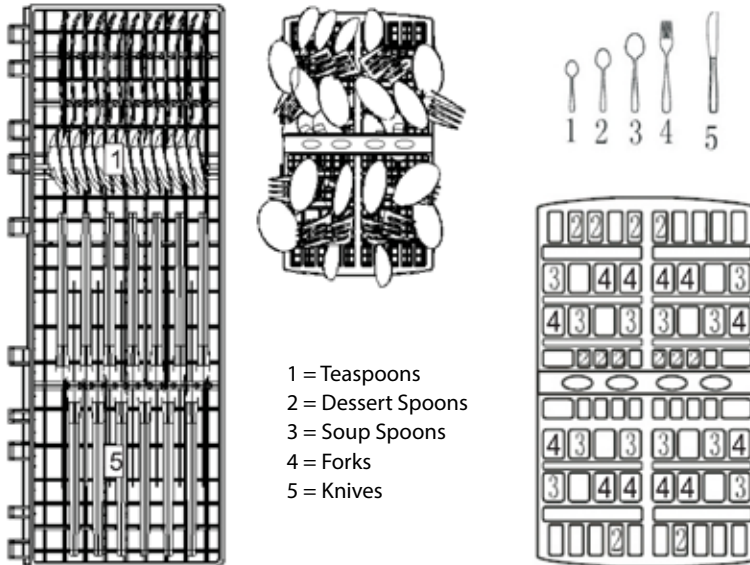
FOLDING RACKS

Folding racks consisting of two parts that are located on the lower basket of your machine are designed in order to let you place big items easier as pots, pans, etc. If requested, each part can be folded separately, or all of them can be folded and larger can be obtained. You can use folding racks by raising them upwards, or by folding.



CUTLERY TRAY

Cutlery should be placed in the cutlery tray with handles at the bottom: If the tray has side baskets, the spoon should be loaded individually into the appropriate slots, especially long utensils should be placed in the horizontal position at the front of the upper basket.



IMPORTANT LOADING CONSIDERATIONS

- Before loading, you should scrape off large left-over food debris, and pre-soak to soften remnants of burnt food in pans
- Do not let any item extend through bottom
- Dishes and cutlery must not impede the rotation of the spray arms
- Load hollow items such as cups, glasses, pans etc. with the opening downwards so that water cannot collect in the container or a deep base.
- Dishes and items of cutlery must not lie inside one another, or cover each other
- Load large items which are most difficult to clean into the lower basket
- The upper basket is designed to hold more delicate and lighter dishware such as glasses, coffee and tea cups
- **WARNING:** Long bladed knives stored in an upright position are a potential hazard!
- Long and/or sharp items of cutlery such as carving knives must be positioned horizontally in the upper basket
- Some types of glasses can become dull after a large number of washes
- Silver and aluminium parts have a tendency to discolour during washing
- Glazed patterns may fade if machine washed frequently
- Very small items should not be washed in the dishwasher as they could easily fall through baskets
- The upper and lower baskets can not be pull out in the same time when the dishwasher is loading, or it may lead to dumping

- Do not put in items that are dirty of cigarette ash, candle wax, lacquer or paint
- Do not overload your dishwasher. There is only space for 12 standard dishes, this is to ensure good results and for reasonable energy consumption
- When considering purchasing new dishes please make sure that they are suitable for dishwashers
- Do not use wash items that is not suitable for dishwashers



CAUTION! Ensure loaded items do not obstruct the rotating spray arms.

ITEMS NOT SUITABLE FOR DISHWASHER

The following dishes & utensils are not suitable for washing in the dishwasher:

- Cutlery with wooden, horn china or mother-of-pearl handles
- Plastic items that are not heat resistant
- Older cutlery with glued parts that is not temperature resistant
- Bonded cutlery items or dishes
- Pewter or cooper items
- Lead crystal glass
- Steel items subject to rusting
- Wooden platters
- Items made from synthetic fiber

DAMAGE TO GLASSWARE AND OTHER UTENSILS

Possible causes:

- Type of glass or manufacturing process. Chemical composition of detergent.
- Water temperature and duration of dishwasher programs.

Suggested remedy:

- Use glassware or porcelain dishes that have been marked dishwasher-proof by the manufacturer.
- Use a mild detergent that is described as kind of dishes. If necessary, seek further information from detergent manufacturers.
- Select a programs with a low temperature.
- To prevent damage, take glass and cutlery out of the dishwasher after they have cooled down.
- To avoid damage to glasses, they must not touch and be loaded to ensure they are stable.

TURNING ON THE APPLIANCE



WARNING! Do not open the door when the appliance is running a program, as hot water may splash out. Turn off program before opening the door.

1. Ensure the machine is connected to power (Insert the plug into the socket)
The power supply is 220-240V AC 50 Hz, the specification of the socket is 12 A 250 VAC.50 Hz.
2. Ensure sure that the water supply tap is turned on to full pressure.
3. Load the dishwasher following the recommendations in the "LOADING THE DISHWASHER" section.
4. Fill detergent & aid (See the sections titled "FILL THE DISPENSERS")
5. Close the door correctly. When closing the door, push with a little force to ensure the door is properly closed. A click could be heard when the door is closed perfectly. When the washing is over, you can shut off the switch by pressing "Power" button.

6. Turn on the machine by pressing the “Power” button, then press the “program” button to select a desired wash program (See the section titled “WASH PROGRAM TABLE”.)
7. Once the program is finished the appliance will beep

If you open the door when washing, the machine pauses and warning alarm rings, LED1 (under “Intensive” button) and LED2 (under “Heavy” button) flash. When you close the door, the machine will keep on working after 10 seconds.



CAUTION! During and after a program has run, hot steam can be released when opening the door. Take care when opening the door.

CHANGE THE PROGRAM ONCE THE CYCLE IS OPERATING

A cycle that is underway can only be modified if it has only been running for a short time. Otherwise, the detergent may have already been released, and the appliance may have already drained the wash water. If this is the case, the detergent dispenser must be refilled (see the section titled “FILL IN THE DETERGENT”). To change the program:

1. Press the “Power” button to cancel the program.
2. Turn on it again, then you can change the program to the desired cycle setting.

FORGET TO LOAD A DISH AND ADDING IT AFTER CYCLE IS OPERATING

Once a cycle that is underway, a forgotten dish can be added any time before the detergent cup opens.

1. Open the door a little to stop the washing.
2. After the spray arms stop working, you can open the door completely.
3. Add forgotten dishes.
4. Close the door properly, then the dishwasher will resume after ten seconds.

END OF WASH & UNLOADING

When the washing cycle has finished, the buzzer emits 6 short beep signals, and all the LED indicators turn off except for the power indicator.

- Switch off the appliance via the power button, and turn the water tap off
- Remove the washed items once they when they have cooled down
- We recommend you open the door slightly 50mm to assist in drying and cooling of the dishes
- It is normal for the inside to be wet after program, some time may be needed to dry

Wait a few minutes before unloading the dishwasher to avoid handling the dishes and utensils while they are still hot and more susceptible to breakage. They will also dry better. When unloading, to prevent pooled water dripping from the upper basket into the lower basket, we recommend that you empty the lowest basket first before moving to the upper baskets.

WASHING PROGRAMS

WASH PROGRAM TABLE

| Program | Application | Cycle Description | Detergent Pre/ Main (g) | Run Time (min) | Energy (kWh) | Water (L) |
|-----------|--|--|-------------------------|----------------|--------------|-----------|
| Intensive | For the heaviest soiled loads, such as pots, pans, casserole dishes and dishes that have been sitting with dried food on them for a while. | Pre-wash (40°) Main wash(55°) Rinse Hot rinse (65°) Drying | 5/25g | 145 | 1.20 | 15.5 |
| Heavy | For heavy soiled loads, such as pots, plates, glasses and lightly soiled pans. standard daily cycle. | Main wash (60°) Rinse 1 Rinse 2 Hot rinse (65°) Drying | 5/25g | 135 | 1.15 | 15.0 |
| Normal | For normally soiled loads, such as pots, plates, glasses and lightly soiled pans. Standard daily cycle. | Main wash (45°) Rinse Hot rinse (49°) Drying | 5/25g | 112 | 0.73 | 11.8 |
| Rinse | For dishes that need to be rinsed and dried only | Pre-wash Hot rinse (70°) Drying | - | 67 | .75 | 7.5 |
| Rapid | A shorter wash for lightly soiled loads that do not need drying. | Main wash (40°) Hot rinse (49°) | 15g | 50 | 0.50 | 7.5 |
| Soak | To rinse dishes that you plan to wash later that day | Pre-wash | - | 8 | 0.01 | 4.0 |

Normal is the program that was used for AS/NZS 2007.1 testing and rating.

The information for comparability test in accordance with AS/NZS.2007.1, is as follows:

Capacity: 12 settings, Position upper basket: upper wheels on rails, Rinse aid setting: 6

MAINTENANCE & CLEANING

⚠ WARNING! Disconnect electrical power when undergoing cleaning or maintenance to avoid electric shock.

To keep your dishwasher in good condition and optimise washing performance, we recommend following below:

- Always scrape off large food remnants before placing dishes and utensils into the dishwasher
- Ensure there are no obstructions to the filter or spray arms during every use
- Regular cleaning of filters is imperative for washing performance
- Regular cleaning of spray arms to unclog spray jets
- Periodic cleaning of door, seals & inside of dishwasher to avoid build up
- Do not use abrasive cleaners or solvents that could damage the machine finish
- Never use sharp objects, scouring pads or abrasive utensils on any part of the dishwasher
- Do not run machine without filters or spray arms in place
- Leave door slightly ajar to allow for the machine to be air dried so that moisture & odour are not trapped inside
- When you go on holiday or will not be using the appliance for a prolonged period, we recommend you run a wash cycle with the machine empty, and then leave the door slightly ajar. Disconnect power and turn off water supply.

FILTER SYSTEM

The filter is used to avoid the big remnants and other sundries getting inside the pump. The residue can obstruct the filter over time, and this can negatively affect washing performance. The filter system consists of a flat (main filter), a coarse filter, and a micro filter (fine filter).

1. Flat Filter

Food and debris will be trapped by a special flat filter on the lower spray arm.

2. Coarse Filter

Larger debris, such as bone and glass that could clog the drain will be trapped in the coarse filter.

To remove an item caught in this filter, gently squeeze the taps on the top of this filter and lift it out.

3. Micro Filter

This filter holds soil and food residue in the sump area and prevents it from being redeposited on the dishes during a cycle.

- Inspect the filters for obstructions every time the dishwasher has been used.
- By unscrewing the coarse filter, you can remove the filter system.
- Remove any food remnants and clean the filters under running water.



FILTER CLEANING & ASSEMBLY

For best performance and results, the filter assembly must be cleaned regularly. The filter efficiently removes food particles from the wash water, allowing it to be recirculated during the cycle. For this reason, it is a good idea to remove the larger food particles trapped in the filter after each wash cycle by rinsing the semicircular filter and cup under running water. The entire filter assembly should be cleaned once a week. To clean the coarse filter and the micro filter, use a cleaning brush.

To remove the filter assembly, follow below:

1. Rotate and pull up the coarse filter cup following the figure below.
2. After the cup filter is released, you can pull up flat filter navigating around the spray arm.

To reassemble the filter parts, reverse to reinsert the entire assembly in the dishwasher, ensure you position the flat filter in its place before reinstalling the cup filter.



The dishwasher must never be used without the filters. Improper replacement of the filter may reduce the performance level of the appliance and damage dishes and utensils.

The filters should be cleaned by hand, following below recommendations:

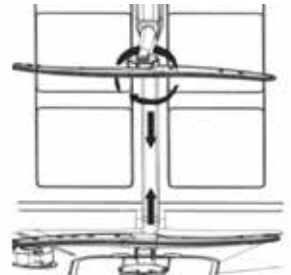
1. Soak them for about 3 minutes in warm, soapy water.
2. Brush them gently with a soft brush. Do not apply too much pressure to the mesh filters as they can be easily damaged by applying too much pressure when scrubbing forcefully.

SPRAY ARMS

It is necessary to clean the spray arms regularly for hard water chemicals and debris will clog the spray arm jets and bearings.

To remove the spray arms, screw off the nut clockwise to take out the washer on top of the spray arm and remove the arm (see figure).

Wash the arms in soapy and warm water and use a soft brush to clean the jets. Replace them after rinsing thoroughly.





CAUTION! Do not spray cleaner directly onto door panel as it could damage electrical components.

CLEANING THE DOOR, CONTROLS, INTERIOR & SURROUNDS

To clean the edge around the door, panel and seals, you should use only a soft, warm and damp rag. To prevent penetration of water into the door lock and electrical components, do not use a spray cleaner of any kind.

One of the factors that cause odours to form in the dishwasher is food that remains trapped in the seals. Periodic cleaning with a warm, damp sponge will help prevent this.

When cleaning the front of the door, never use abrasive cleaners or scouring pads on the outer surfaces because they will scratch the finish. Some papers towels can also scratch or leave marks on the surface. To clean the exterior, use a good appliance polish wax.

To clean the control panel, use a lightly dampened cloth then dry thoroughly. Do not spray cleaner directly on buttons and controls.

To remove spots or stains from the surface of the interior, use a cloth dampened with water and a little white vinegar, or a cleaning product made specifically for dishwashers.

PROTECT AGAINST FREEZING

If your dishwasher is left in an unheated place during the winter, ask a service technical to:

1. Cut off electrical power to the dishwasher.
2. Turn off the water supply and disconnect the water inlet pipe from the water valve.
3. Drain water from the inlet pipe and water valve (Use a pan to catch the water).
4. Reconnect the water inlet pipe to the water valve.
5. Remove the filter in the tub and the bottom and use a sponge to use up water in sump.

INSTALLATION



WARNING! Disconnect electrical power before installing dishwasher. Failure to do so can result in death or electrical shock.



WARNING! Installation of this appliance should only be attempted by an authorised installer following local laws and regulations.

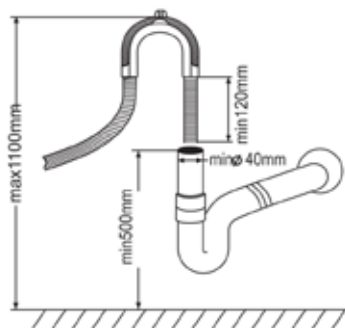
- Please read this instruction manual carefully as it contains important information regarding the safe installation, use and maintenance of the appliance.
- If the appliance must be moved at any time, keep it in an upright position. If necessary, it may be tilted onto its back.
- Remove the appliance from all packaging and check that it has not been damaged during its transportation. If it has been damaged, contact the retailer and do not proceed and further with the installation process.
- Check the dishwasher by placing it so that its sides or back panel are in contact with the adjacent cabinets or even with the wall. This appliance can also be recessed under a bench top.
- Position the dishwasher on a level and sturdy floor. If the floor is uneven, the front feet of the appliance may be adjusted until it reaches a horizontal position (the angle of inclination must not exceed 2 degrees). If the appliance is leveled correctly, it will be more stable and much less likely to move or cause vibrations and noise while it is operation.



WARNING! Installation of this appliance should only be attempted by an authorised installer following local laws and regulations.

PLUMBING

- The dishwasher should not stand on top of the water hoses.
- The appliance must be connected to the water supply network using new piping.
- Do not use old piping.
- Connect the cold water supply hose to a threaded 3/4 (inch) connector and make sure that it is fastened tightly in place.
- If the water pipes are new or have not been used for an extended period of time, let the water run to make sure that the water is clear and free of impurities. If this precaution is not taken, there is a risk that the water inlet can get blocked and the appliance could be damaged.
- Fit the drainage hose of your machine to the drainage pipe without bending.
- If the length of the hose is not sufficient, apply to the authorized service for an extension made from the same material as the original. Remember that the length of the hose should not exceed 4 meters even when with an extension.
- If the drainage hose is longer than the 4m, cleaning performance will be effected.
- Secure your hose firmly to the drainage pipe to avoid it coming off during the washing process.



ELECTRICAL

Before inserting the plug into the electrical socket, make sure that:

- The socket is earthed and complies with current regulations.
- The socket can withstand the maximum load of the appliance, which is indicated on the data plate located on the inside of the door (see description of the appliance).
- The power supply voltage falls within the values indicated on the data plate on the inside of the door.
- Do not use extension cables or multiple socket adapter.
- The dishwasher should not stand on top of the electricity supply cable.
- The cable should not be bent or compressed.
- If the power supply cable is damaged, it must be replaced by the manufacturer or an authorised repairer in order to prevent all potential hazards.
- Once the appliance has been installed, the power supply cable and the electrical socket should be easily accessible.
- Other means for disconnection from the supply must be incorporated in the fixed wiring with at least 3mm contact separation in all poles.
- The manufacturer cannot be held liable for any incidents that occur if these regulations are not observed.

POSITIONING THE APPLIANCE

Position the appliance in the desired location. The back should rest against the wall behind it, and the sides, along the adjacent cabinets or wall. The dishwasher is equipped with water supply and drain hoses that can be positioned to the right or the left to facilitate proper installation.

LEVELING THE APPLIANCE

Once the appliance is positioned, adjust the feet (screwing them in or out) to adjust the height of the dishwasher, making it level. In any case, the appliance should not be inclined more than 2°.

NOTE: The maximum adjustment height of the feet is 20 mm.

DRAIN EXCESS WATER FROM HOSES

If the sink is 1000mm higher from the floor, the excess water in hoses cannot be drained directly into the sink. It will be necessary to drain excess water from hoses into a bowl or a suitable container that is held outside and lower than the sink.

WATER OUTLET

Connect the water drain hose. The drain hose must be correctly fitted to avoid water leaks. Ensure that the water inlet hose is not kinked or squashed.

EXTENSION HOSE

If you need a drain hose extension, observe to use a similar drain hose.

It must be no longer than 4 metres; otherwise the cleaning effect of the dishwasher could be reduced.

SYPHON CONNECTION

The waste connection must be at a height of between 50cm (minimum) and 100cm (maximum) from the bottom of the dish. The water drain hose should be fixed by a hose clip.

TEST WASH CYCLE

After the appliance has been installed, immediately before running the first wash cycle, completely fill the dispenser of rinse aid (see section titled "FILLING THE DISPENSERS").

The followings should be checked before starting the dishwasher:

- The dishwasher is level and fixed
- The inlet valve is opened
- There is no leakage at the connections of the conducts
- The inlet and drain hoses are not been, kinked and not under the dishwasher
- The wires are tightly connected
- The power is switched on
- All packing materials and documents are be taken out from the dishwasher

After the installation, please leave this manual for the owner's reference.

TROUBLESHOOTING

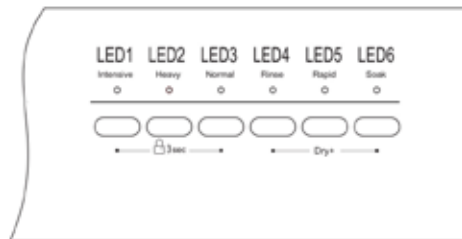


Any electrical repairs to this appliance must conform to your local, state and federal regulations. If in any doubt, please contact the service center.

- **CAUTION:** Always disconnect the unit from the power source when troubleshooting the unit.
- Repairs may only be carried out by service engineers or an authorised service agent.
- Any modifications or use of this appliance for any other purpose or in any other environment than intended will void warranty.
- If overflow occurs, switch off the main water supply.
- Do not leave excessive pooled water at the base of the unit for prolonged period.

When the appliance experiences malfunction, the LED indicator lights on the front panel will display error codes to inform the possible cause. Take note of the error codes shown for reference. If all the lights begin to flash, that indicates the machine is out of order. If the issue cannot be troubleshooted, turn off the main power and water supply before calling a service.

| Error Codes | Meaning | Possible Causing |
|-------------------|--------------------|---|
| LED1 & LED2 Flash | Door Open | The door is opened when the dishwasher is operating |
| LED1 & LED4 Flash | Water Inlet | Water inlet malfunction or blockage |
| LED1 & LED6 Flash | Temperature Sensor | Temperature sensor malfunction |
| LED2 & LED3 Flash | Overflow / Leakage | Overflow occurs / Water leakage occurs |
| LED2 & LED5 Flash | Heating Element | Abnormal heating |



IMPORTANT! If your appliance appears not to be operating correctly, please contact the service center. Do not attempt to repair the appliance yourself.

Please note that if an authorised service person is asked to attend whilst the product is under warranty and finds that the problem is not the result of an appliance fault, then you may be liable for the cost of the call out charge.

The appliance must be accessible to perform any necessary repair. If your appliance is installed in such a way that an engineer is concerned that damage will be caused to the appliance or your kitchen, then they will not complete a repair. This includes situations where appliances have been tiled in, sealed in with sealant, have wooden obstructions placed in front of the appliance, like plinths. Or if any installation other than the one specified has been completed.

TROUBLESHOOTING TABLE

| Problem | Possible Cause | Recommended Solution / More Information |
|-------------------------------|---|---|
| Dishwasher doesn't run | Fuse blown, or the circuit breaker | Replace fuse or reset circuit breaker. Remove any other appliances sharing the same circuit with the dishwasher. |
| | Power supply is not turned on | Make sure the dishwasher is turned on and the door is closed securely. Make sure the power cord is properly plugged into the wall socket. |
| | Water pressure is low | Check that the water supply is connected properly and the water is turned on. |
| Drain pump doesn't stop | Overflow | The system is designed to detect an overflow. When it does, it shuts off the circulation pump and turns on the drain pump. |
| Noise | Some audible sounds are normal | Sound from detergent cup opening. |
| | Utensils are not secure in the baskets or something small has dropped into the basket | Ensure everything is loaded correctly and secured in the dishwasher. |
| | Motor hums | Dishwasher has not been used regularly. If you do not use it often, remember to set it to fill and pump out every week, which will help keep the seal moist. |
| Suds in the tub | Improper detergent type or amount | Use only the special dishwasher detergent to avoid suds. If this occurs, open the dishwasher and let suds evaporate. Add 1 gallon of cold water to the tub. Close and latch the dishwasher, then start the "soak" wash cycle to drain out the water. Repeat if necessary. |
| | Spilled rinse agent | Always wipe up rinse agent spills immediately. |
| Stained tub interior | Detergent with colorant was used | Make sure that the detergent is the one without colorant. |
| Dishes and flatware not clean | Improper program | Select a stronger program. |
| | Improper basket loading | Make sure that the action of the detergent dispenser and spray arms are not blocked by large dishware & proper loading is followed. |
| | Filters & spray arms not clean or not installed correctly | Make sure to regularly clean filters & spray arms to ensure cleaning performance. |

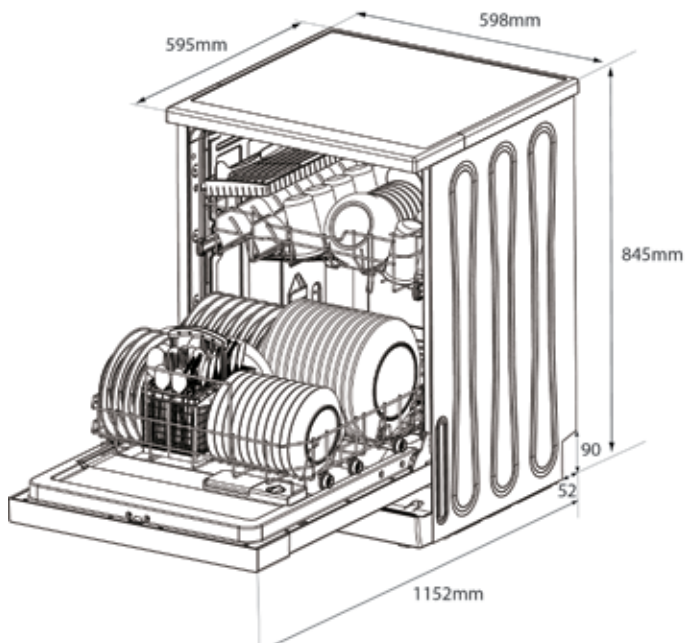
| Problem | Possible Cause | Recommended Solution / More Information |
|---|--|--|
| Spots and filming on glasses and flatware | Extremely hard water | <p>To remove spots from glassware:</p> <ol style="list-style-type: none"> 1. Take out all metal utensils out of the dishwasher. 2. Do not add detergent. 3. Choose the longest cycle. 4. Start the dishwasher and allow it to run for about 18 to 22 minutes, then it will be in the main wash. 5. Carefully open the door to pour 2 cups of white vinegar into the bottom of the dishwasher. 6. Close the door and let the dishwasher complete the cycle. <p>If the vinegar remedy does not work, repeat as above, except use 1/4 cup (60 ml) of citric acid crystals instead of vinegar.</p> |
| | Low inlet temperature | |
| | Overloading the dishwasher | |
| | Improper loading | |
| | Old or damp powder detergent | |
| | Empty rinse agent dispenser | |
| | Incorrect dosage of detergent | |
| Cloudiness on glassware | Combination of soft water and too much detergent | Use less detergent if you have soft water and select a shortest cycle to wash the glassware and to get them clean. |
| Yellow or brown film on inside surfaces | Tea or coffee stains | Using a solution of 1/2 cup of bleach and 3 cups of warm water to remove the stains by hand. WARNING: Wait for 20 minutes after a cycle to let the heating elements cool down before cleaning interior; otherwise, burns may happen. |
| | Iron deposits in water can cause an overall film | Water supply issue, a special water filter may be required. |
| White film on inside surface | Hard water minerals | To clean the interior, use a damp sponge with dishwasher detergent and wear rubber gloves. Never use any other cleaner than dishwasher detergent for the risk of foaming or suds. |
| The detergent dispenser lid cannot be closed properly | Clogged detergent residue is blocking the catch | Clean the detergent from the catch. |
| Detergent left in dispenser cups | Dishes block detergent Cups | Re-loading the dishes properly. |
| Steam | Expected due to high temperature cleaning | Some steam can escape through the vent by the door latch during drying and water draining. |

| Problem | Possible Cause | Recommended Solution / More Information |
|---|---|---|
| Black or grey marks on dishes | Aluminium utensils have rubbed against dishes | Use a mild abrasive cleaner to eliminate those marks. |
| Water standing on the bottom of the tub | Small amount is normal | A small amount of clean water around the outlet on the tub bottom keeps the water seal lubricated. |
| | Large amount | In conjunction with error code could mean possible issue with water pump. |
| Dishwasher leaks | Overfill dispenser or rinse aid spills | Be careful not to overfill the rinse aid dispenser. Spilled rinse aid could cause over-sudsing and lead to overflowing. Wipe away any spills with a damp cloth. |
| | Dishwasher is not level | Make sure the dishwasher is level |
| Excessive vibrations and vibration noises | Dishwasher is not level | Make sure the dishwasher is level. It will be more stable and much less likely to move or cause vibrations and noise while it is operation. |
| Flashing LED indicator lights | Malfunction | Check error codes table for more information |

TECHNICAL DATA & SPECIFICATION

Specification

| | |
|--|-------------------------|
| Model | SDF-4012S |
| Appliance | Freestanding Dishwasher |
| External dimensions (height/width/depth) | 600 x 600 x 845 mm |
| Appliance Capacity | 12 Place Setting |
| Water Pressure | 0.04--1.0MPa |
| Hot Water Connection | Max 60 ° C |
| Rated Voltage / Frequency | 220-240V / 50-60Hz |
| Max Rated Inputs (Total power) | 1850W |



DECLARATION OF CONFORMITY

AUSTRALIAN STANDARDS

This product has been designed and manufactured to comply with all relevant Australian and New Zealand Standards.

AS/NZS 60335.1 General Requirements for Domestic Electrical Appliances

AS/NZS 60335.2.6 Specific Requirements for Domestic Electrical Cooking Appliances

This appliance is SAA certified.

Installation of the appliance must be only be undertaken by a licensed installer who can provide a compliance certificate.

This appliance is intended for domestic use only.

DISPOSAL



Dispose of the dishwasher packaging material correctly.

All packaging materials can be recycled.

Plastic parts are marked with the standard international abbreviations: (e.g. PS for polystyrene, padding material)

This appliance is identified according to the European guideline 2012/19/EU on waste electrical and electronic equipment -WEEE. The guideline specifies the framework for an EU-wide valid return and re-use of old appliances.

Do not dispose of electrical appliances as unsorted municipal waste, use appropriate collection facilities. By ensuring this product is disposed of correctly, you will help prevent potential negative consequences for the environment and human health, which could otherwise be caused by the inappropriate waste handling of this product. Contact your local council for information regarding collection systems available.



WARNING: Packaging material could be dangerous for children!

Copyright (C) SALINI Appliances 2020. All rights reserved.

The product specifications in this booklet apply to the specific products and models described at the date of issue, these specifications or recommendations may change at any time. You should check with your Dealer for the latest issue, or visit our website for more information.

SALINI