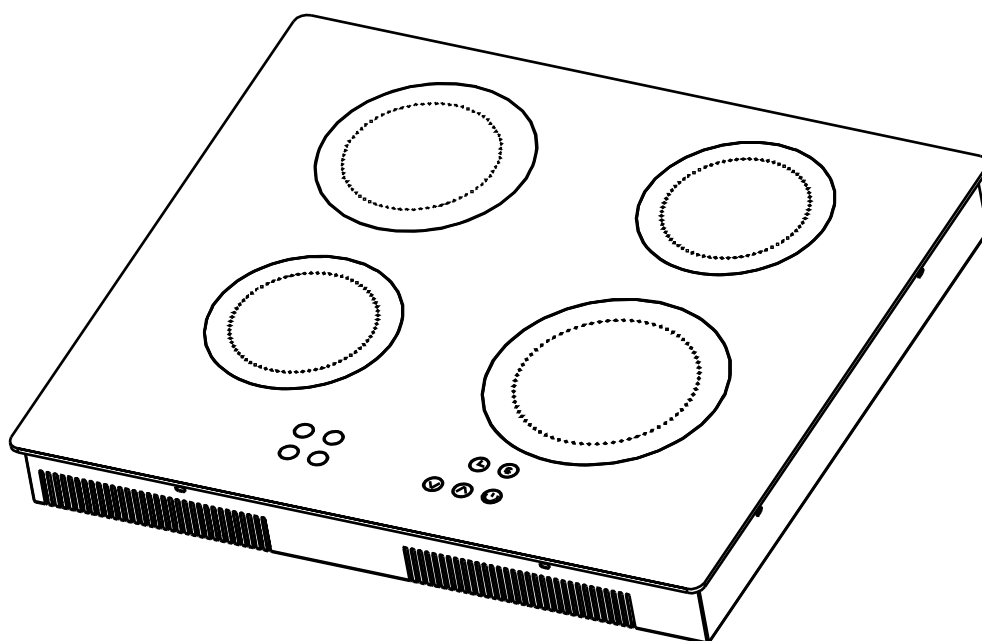


SALINI

INDUCTION COOKTOP **Instruction Manual**



SCI-4052B

WWW.SALINI.COM.AU

CONTENTS

Important safety information	2-4
Description of the appliance	5
Control panel	6
Installation	7-10
Cleaning and Maintenance	11-12
Technical data	13
Declaration of conformity	14

IMPORTANT:

This User Instruction Manual contains important information, including safety & installation points, which will enable you to get the most out of your appliance. Please keep it in a safe place so that it is easily available for future reference; for you or any person not familiar with the operation of the appliance.

IMPORTANT SAFETY INFORMATION



WARNING: Do not use or attempt to install this appliance until you have read this instruction manual. This appliance is intended for household use only.

General Information

- This appliance is designed for domestic household use and designed to be built into a standard kitchen cabinet or housing unit.
- **IMPORTANT:** Your product warranty will be void if the installation is not in accordance with the instructions. The installation must be carried out by a suitably qualified person, in accordance with the manufacturer's instructions, and must be connected in accordance with all local electrical rules specification.
- The use of this appliance for any other purpose or in any other environment will void warranty.
- Your new appliance is guaranteed against electrical or mechanical defects, subject to certain exclusions, the foregoing does not affect your statutory rights.
- Repairs may only be carried out by Service Engineers or an authorised service agent.
- Check the appliance for damage after unpacking it. Do not connect or install the appliance if it has been damaged in transport as this will void the warranty.

Warning and safety instructions



CAUTION: The appliance and its accessible parts become hot during use. Care should be taken to avoid touching heating elements. While in operation, direct contact with the hob may cause burns.

- This appliance complies with all current Australian and European safety legislation, and designed to operate safely in normal use, however the appliance surfaces will become hot during use and retain heat after operation.
- This appliance is not intended for use by persons (including children) with reduced physical, sensory or mental capabilities, or lack of experience and knowledge, unless they have been given supervision or instruction concerning use of the appliance by a person responsible for their safety.
- During use the appliance becomes hot. Care should be taken to avoid touching the ceramic hobs.
- The first few times the hob top is used, it may give off an acrid, burning smell. This smell will disappear completely with repeated use.
- Do not switch on the hob until a pan has been placed on it.

- The positions where the heat will radiate from are clearly marked on the hob top. The saucepans must be positioned exactly on these zones for efficient heating to occur. Pans should have the same diameter as the cooking zone that they are being used on.
- You should not use saucepans with rough bottoms, as this can scratch the ceramic surface.
- Before use, make sure that the bottoms of the saucepans are clean and dry.
- Do not put pans weighing over 25kg on the hob.
- The best thickness for the bottom of the pans is 2 – 3 mm of enamelled steel and 4 – 6 mm for stainless steel with sandwich type bottoms.
- If these rules are not followed, then there will be a great loss of heat and energy. Heat not absorbed by the saucepan, will spread to the hob, frame and surrounding cabinets.
- Food or liquid that has high sugar content may damage the hob top if it comes into contact with the ceramic hob surface. Any spillages should be wiped up immediately, however this may not prevent the hob surface from becoming damaged.
- Do not leave ceramic hob unattended when frying. Oils and fats may catch fire due to overheating or boiling over.
- Do not use the hob if the surface becomes broken or cracked. You should switch off the appliance to avoid the possibility of electric shock; contact the dealer customer care department immediately.
- Do not use the ceramic hob in the event of a technical fault. Any faults must be fixed by an appropriately qualified and authorized person.
- In the event of any incident caused by a technical fault, disconnect the power and report the fault to the service centre to be repaired.
- Ensure that small items of household equipment, including connection leads, do not touch the hob as the insulation material of this equipment is usually not resistant to high temperatures.
- Never try to extinguish a fire with water, but switch off the appliance and then cover flame e.g. with a lid or a fire blanket.
- The appliance is not intended to be operated by means of an external timer or separate remote-control system.
- Cleaning should be carried out in accordance with the “Cleaning and Maintenance” section to avoid possible hazards
- Use only hob guards designed by the manufacturer of the cooking appliance or indicated by the manufacturer of the appliance in the instructions for use as suitable or hob guards incorporated in the appliance. The use of inappropriate guards can cause accidents.
- **IMPORTANT:** The ceramic hob surface is designed to be tough; however can be damaged. Especially if pointed or hard objects are allowed to fall on it with some force.



CAUTION: Do not use the hob if the surface becomes broken or cracked. You should switch off the appliance to avoid the possibility of electric shock; contact the dealer customer care department immediately.

Electrical Caution



CAUTION! Cleaning operations must only be carried out when the oven is cool and disconnected from the power supply.

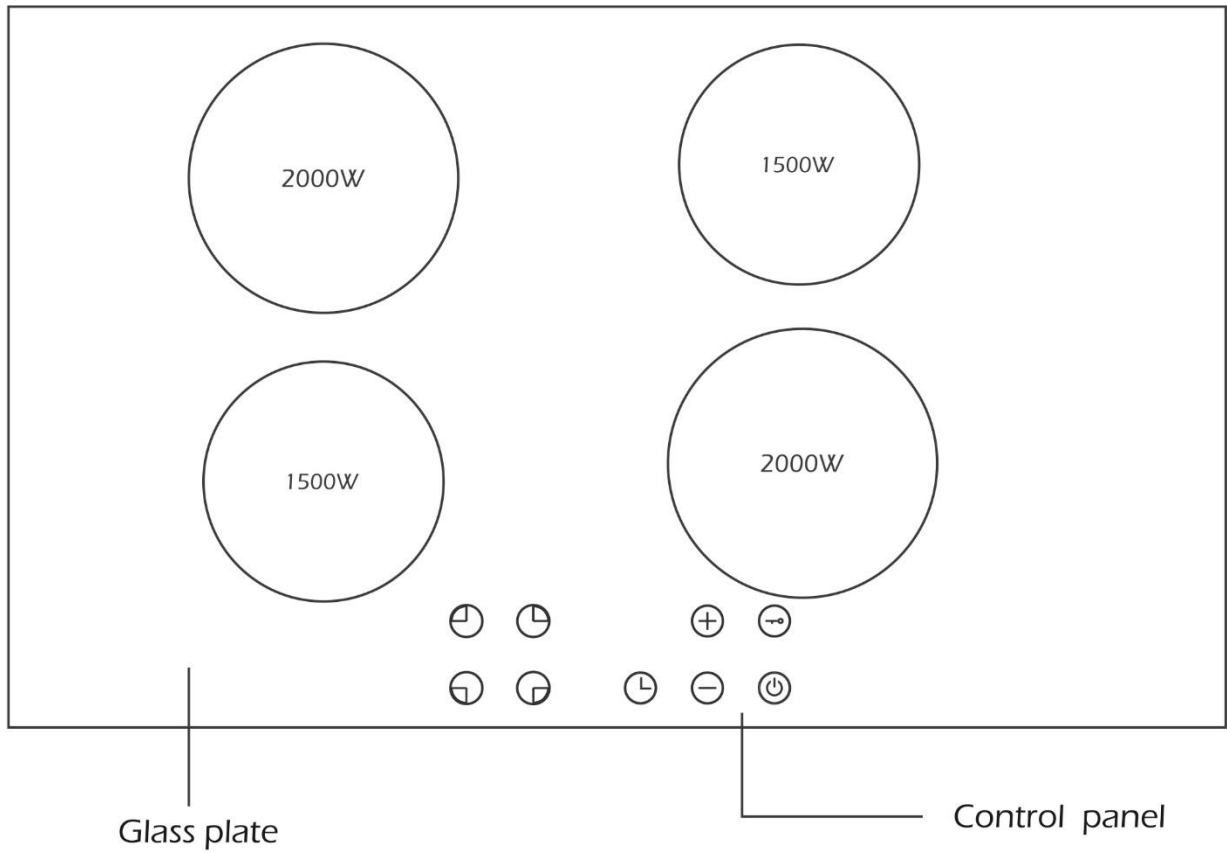
- Any work on electric equipment and systems may only be carried out by authorized qualified persons.
- In case of any damage, switch off the appliance and disconnect it from the power supply
- If the supply cord is damaged, it must be replaced by the manufacturer, its service agent or similarly qualified persons in order to avoid a hazard.
- **WARNING:** Ensure that the appliance is switched off before replacing the lamp to avoid the possibility of electric shock.

Child Safety

- **WARNING:** Accessible parts may become hot during use.
- We strongly recommend that babies and young children are prevented from being near to the appliance and not allowed to touch the appliance at any time.
- If it is necessary for younger family members to be in the kitchen, please ensure that they are kept under close supervision at all times.
- When the door is open, do not allow children to sit or lean onto it. It may overturn causing harm and the door hinges may get damaged.
- Cleaning and user maintenance shall not be carried out by children without supervision.
- The packaging materials will be dangerous for children. Keep the packaging materials away from children. Please dispose of all parts of the packaging according to environmental obligation.

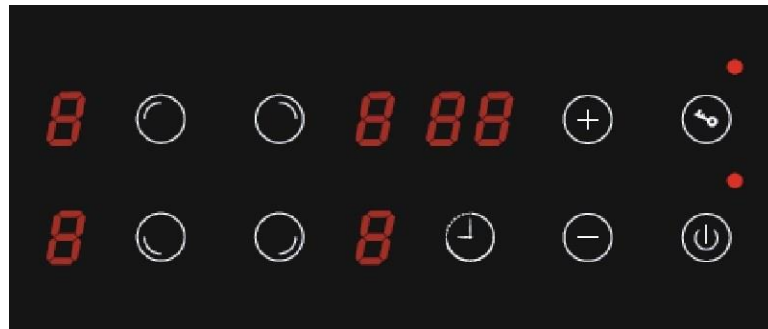
DESCRIPTION OF THE APPLIANCE

Induction hob 4 zone schematic diagram



Model	Voltage (V)	Power (W)	Crystal Plate Size (mm)	Dimension (mm)	Recess opening (mm)	Packing (mm)	Net Weight (Kg)	Gross Weight (Kg)
SCI-4052B	220-240	7000	580 x 510 x 4	580 x 510 x 65	560 x 490	640 x 580 x 140	12.6	13.65

Induction hob control panel



ON/OFF: Turn the machine on or off



CHILD LOCK: Press button once to lock the appliance. Other buttons will not operate while appliance is locked. Hold the button down to unlock.



PLUS: Increase the power level or add the time.



MINUS: Reduce the power level or reduce the time.



DISPLAY: Shows power level and error code.



DISPLAY: Shows time.



LEFT REAR BURNER: Selects left rear burner.



RIGHT REAR BURNER: Selects right rear burner.



LEFT FRONT BURNER: Selects left front burner.



RIGHT FRONT BURNER: Selects right front burner.



TIMER: Set the time as required.

INSTALLATION



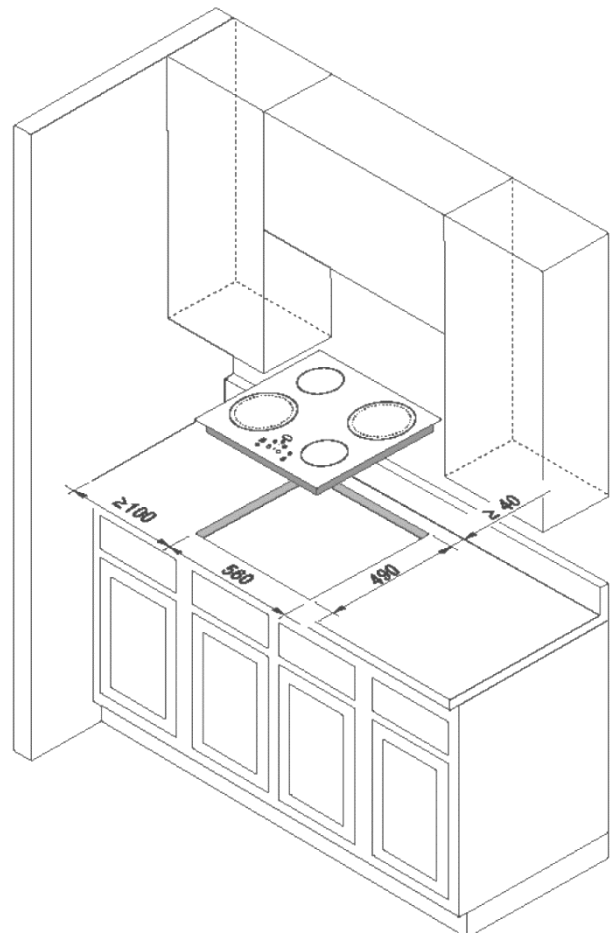
The installation must be carried out by a suitably qualified person, in compliance with local electrical and building rules and specifications, and the instructions outlined in this manual.

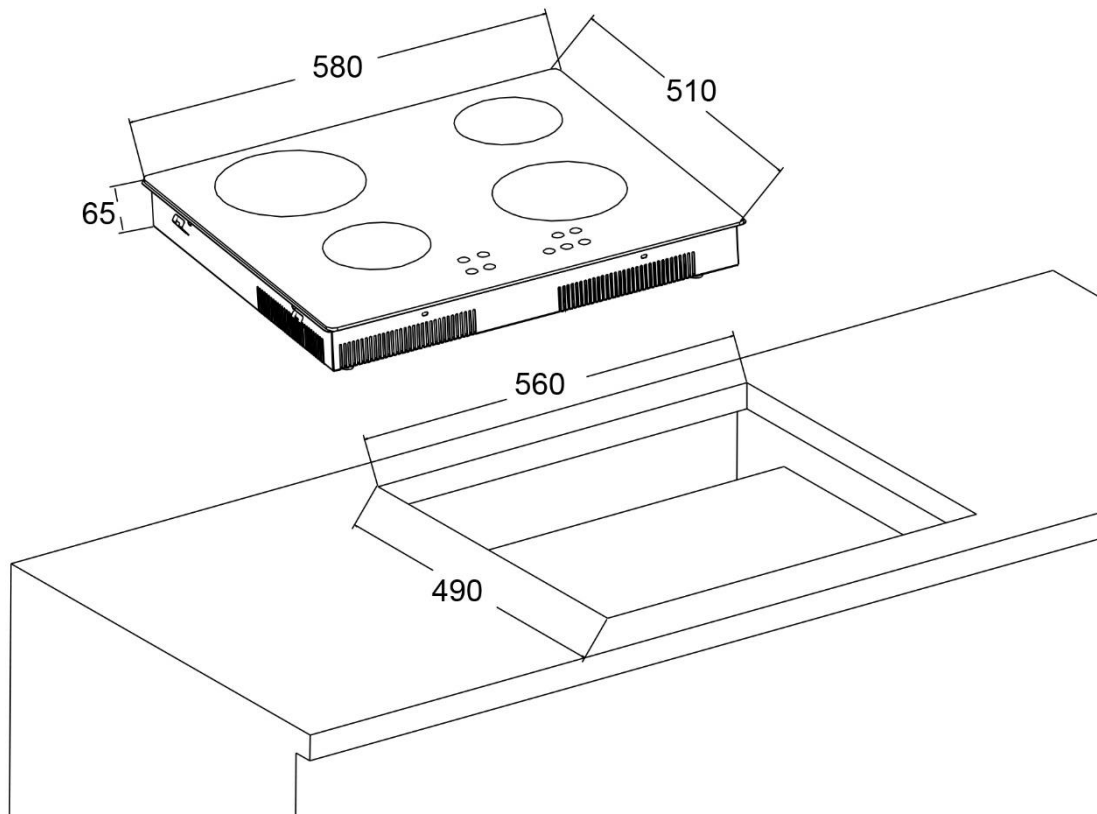
IMPORTANT:

- Ensure that the appliance is installed in a suitable position, in consideration to adjacent walls, cupboards and protection for combustible materials in accordance with local rules.
- The kitchen units that are in direct contact with the appliance must be heat proof (min. 80°C).
- The appliance can be installed on a work surface with a thickness of between 30mm and 40mm, as well as near to walls which are higher than the work surface, maintaining a minimum distance of 100mm.
- Carry out all cutting of the unit and work surface then carefully remove shavings or sawdust before inserting the appliances.
- To ensure a correct ventilation of the hob, please comply with the dimensions shown.
- The electric hob must be installed into the cabinet before use and testing.
- Make sure the surface is level and square and that no part interferes with the space required for installation.
- Prepare the cut-out as indicated (see installation dimensions)

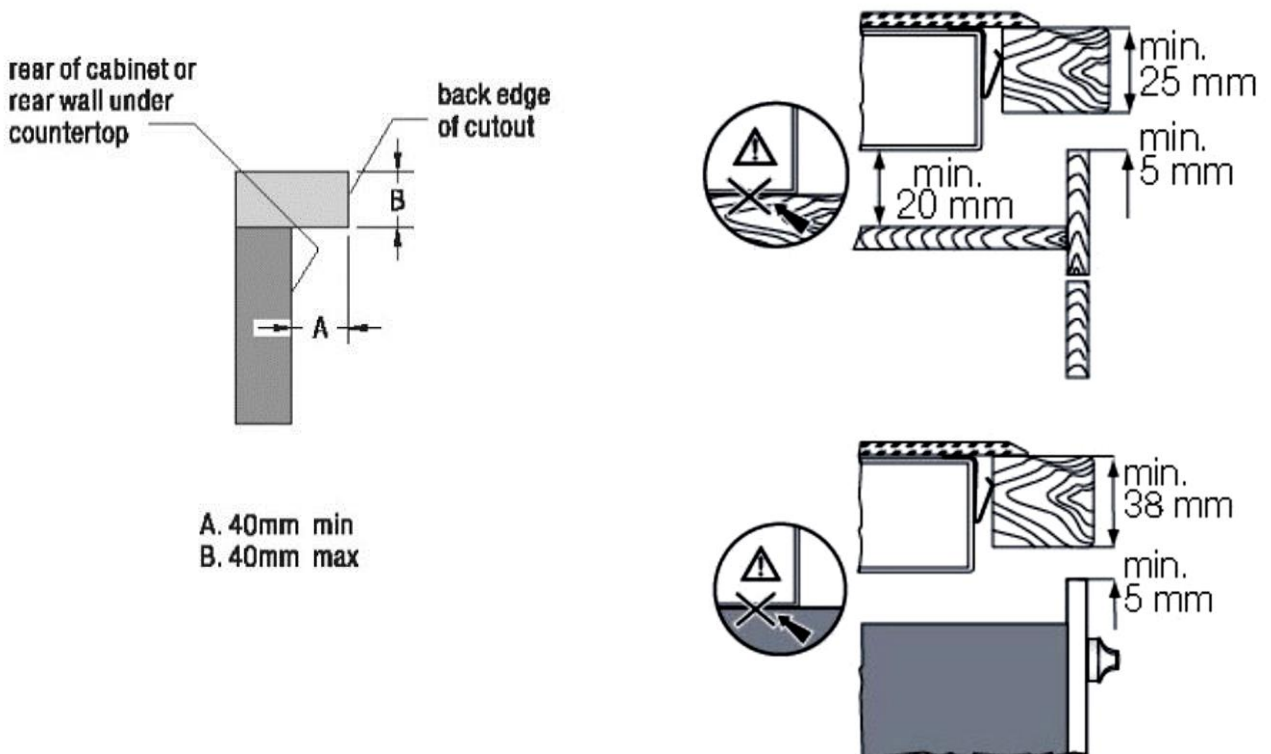
1. Drill holes on the bench surface according to the size shown in the drawing. For the purpose of installation and use, a minimum of 50mm space must be preserved around the hole.

Ensure the thickness of the bench surface is at least 30mm. Please select heat resistant material to avoid deformation or damage caused by heat radiation from the stovetop.

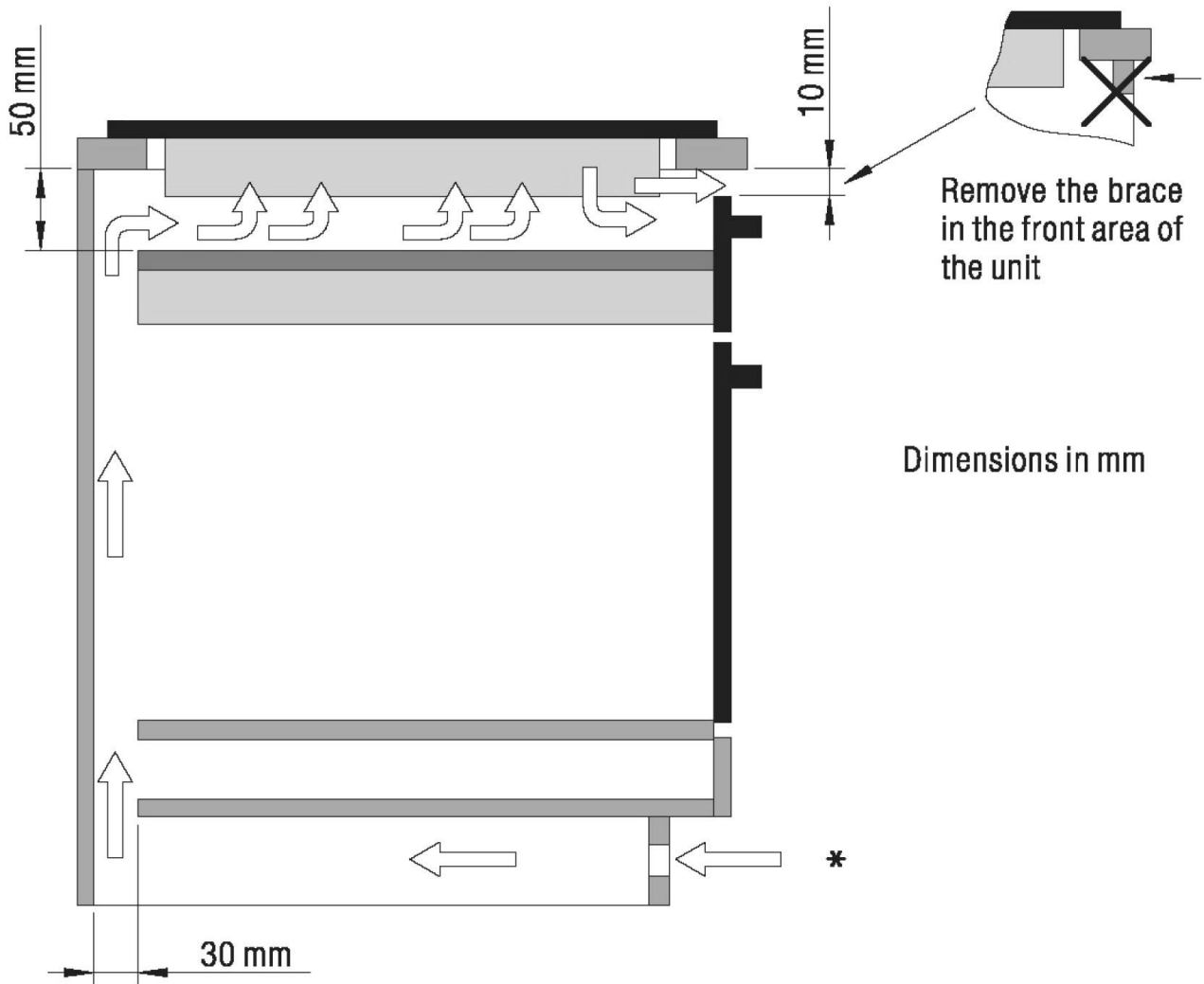




2. Due to the high temperatures reached inside the Induction Cooker, you must ensure adequate ventilation is provided to assure the appliance will operate correctly. Follow the guidelines below for correct ventilation.



3. If the hob is installed on top of a drawer, put a shelf in between as shown below (50mm)
4. If shelves are put in between, ensure that they allow air to flow (30mm)



IMPORTANT: In the case of units with base plinths, a front grill is necessary which allows an input section of at least 100 sq. cm.



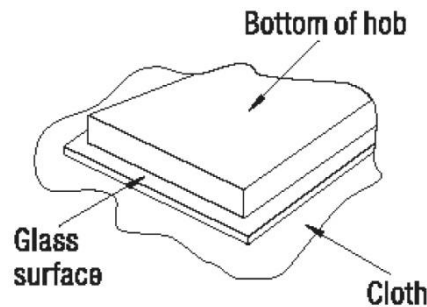
WARNING: Do not install the hob on top of a refrigerator or dishwasher.

Installing the Induction Cooktop

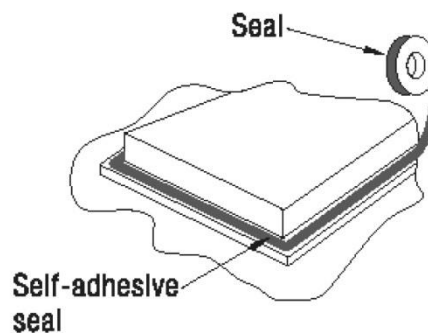


WARNING: Be careful of cutting edges. End parts are in foamed plastic. During unpacking these components could cause slight injuries or cuts.

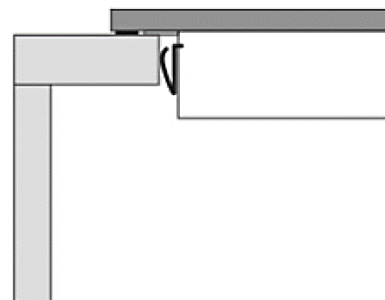
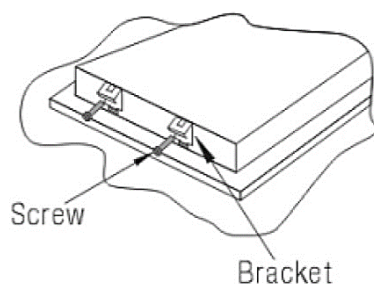
Step 1: Put a towel or cloth on the work surface. Place the hob face down on the protected surface.



Step 2: Apply the strip seal, supplied with the hob, which is for sealing it onto the work surface. Do not use silicone. Apply the seal to the edge of the bottom of the hob, about 3mm from the edge of the glass. Apply the seal all around the circumference. Cut any excess and bring the two ends of the seal together so they match.



Step 3: Use the screws to fasten the four brackets, centre the hob in the space cut out of the work surface.



CLEANING AND MAINTENANCE



CAUTION!

Cleaning operations must only be carried out when the hob is cool. The appliance should be disconnected from the power supply before commencing any cleaning process.

Cleaning the ceramic hob top

- Any residues that are left on the hob top surface from cleaning agents will damage it. You should remove any residues with warm water mixed with a little washing up liquid.
- Abrasive cleaners or sharp objects will damage the hob surface; you should clean it using warm water mixed with a little washing up liquid.
- You may find it easier to clean some deposits whilst the hob surface is still warm. However you should take care not to burn yourself if cleaning the hob surface when it is still warm.
- Do not pour water directly on the appliance, if water gets inside the appliance it may cause a malfunction. Instead use a moistened cloth.
- Ensure the crystal glass plate and the cooking pan are clean and clear of any foreign particles. An unclean surface may cause charring which may result in discolouration or start a fire.
- A toothbrush with a gentle dishwashing detergent can be used to remove oil based or charred spillages.

After each use

- Wipe the appliance over with a damp cloth.
- Dry the appliance by rubbing the surface with a clean cloth.

Important!

DO NOT use any corrosive cleaning products or abrasive cleaners. Only clean with warm water and a small amount of washing-up liquid.



CAUTION!

Ensure the heating plate is clean. A soiled zone does not transfer all of the heat. Protect the hob against corrosion. Switch off the hob when not in use. Do not leave pans with prepared dishes based on fats and oils unattended on the switched on plate; hot fat can spontaneously catch fire.



IMPORTANT:

If your appliance appears not to be operating correctly, please make contact with the dealer.

DO NOT ATTEMPT TO REPAIR THE APPLIANCE YOURSELF!

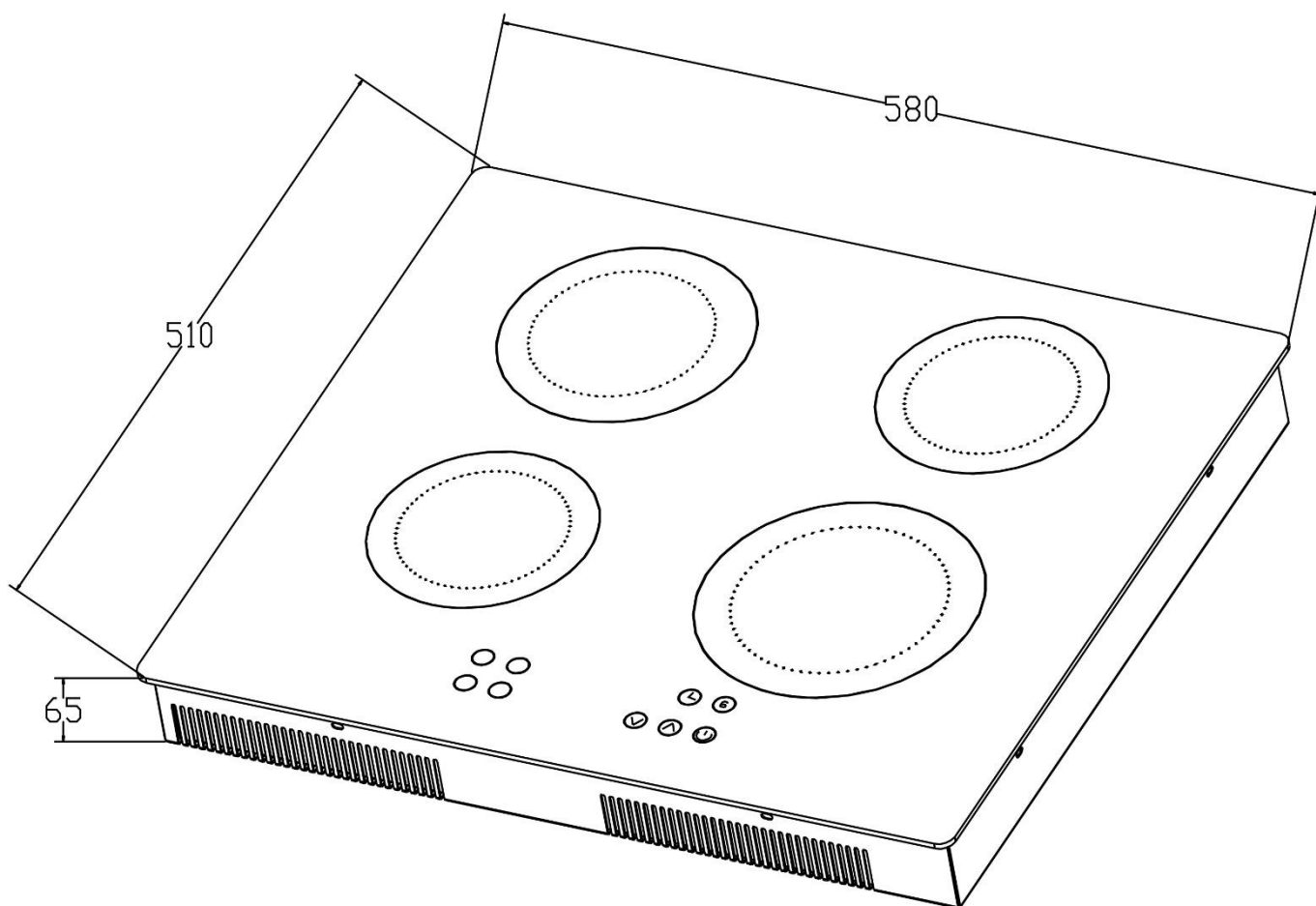
Please note that if an engineer is asked to attend whilst the product is under guarantee and finds that the problem is not the result of an appliance fault, then you may be liable for the cost of the call out charge.

The appliance must be accessible for the engineer to perform any necessary repair. If your appliance is installed in such a way that an engineer is concerned that damage will be caused to the appliance or your kitchen, then they will not complete the repair.

TECHNICAL DATA

Specifications

Model	Rated Voltage:	Max Rated Inputs:	Dimensions (mm)	Net Weight (kg)
SCI-4052B	220-240V ~ 50Hz	7000W	580x510x65	12.6



DECLARATION OF CONFORMITY

Australian Standards

This product has been designed and manufactured to comply with all relevant Australian and New Zealand Standards.

AS/NZS 60335.1 General Requirements for Domestic Electrical Appliances
AS/NZS 60335.2.6 Specific Requirements for Domestic Electrical Cooking Appliances
This appliance is SAA certified

Installation of the appliance must be only be undertaken by a licenced electrician who can provide a compliance certificate.

This appliance is intended for domestic use only.

European Standards

- **CE:** Appliance conforming to the European 2004/108/EC EMC Directive.
- The manufacturer declares that the oven is built using certified materials and requires the appliance to be installed in accordance with the standards currently in force. This appliance must be used by a trained person for domestic purposes only.
- * The RoHS directive stands for "the restriction of the use of certain hazardous substances in electrical and electronic equipment". This directive bans the placing on the EU market of new electrical and electronic equipment containing more than the agreed levels of lead, cadmium, mercury, hexavalent chromium, polybrominated biphenyl (PBB) and polybrominated diphenyl ether (PBDE) flame retardants.

European directive 2002/96/EC on Waste Electrical and Electronic Equipment (WEEE) (for European Union countries only)

This appliance is marked according to the European directive 2002/96/EC on Waste Electrical and Electronic Equipment (WEEE). By ensuring this product is disposed of correctly, you will help prevent potential negative consequences for the environment and human health, which could otherwise be caused by inappropriate waste handling of this product.

The symbol on the product, or on the documents accompanying the product, indicates that this appliance may not be treated as household waste. Instead it shall be handed over to the applicable collection point for the recycling of electrical and electronic equipment. Disposal must be carried out in accordance with local environmental regulations for waste disposal.

For more detailed information about treatment, recovery and recycling of this product, please contact your local city office or your household waste disposal service.

Copyright © SALINI Appliances 2016. All rights reserved.

The product specifications in this booklet apply to the specific products and models described at the date of issue, these specifications may change at any time. You should therefore check with your Dealer for the latest issue.

SALINI